

3-Wire Control

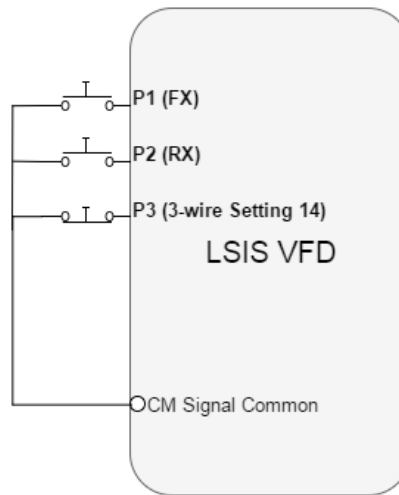
C100, S100, H100, and iS7

Purpose

This document serves as a setup guide for controlling LSIS drive's with Push-buttons, also known as 3-wire control. The C100, S100, H100, and iS7 drives are covered in this document.

Wiring

Below is a wiring diagram for a typical 3-wire setup. Normally open (N.O.) push buttons are used for Forward and Reverse on terminals P1 and P2. A normally closed (N.C.) push button, which is used to Stop operation, is wired to terminal P3.



Programming

Programming varies slightly depending on the drive being used. Use Table 1 below to determine how to program the P3 input for 3-wire based on the drive series.

Drive	Parameter	Setting
C100	I19	17
S100	I67	14
H100	I67	16
iS7	I67	14

Table 1