

Miniature Circuit Breakers

BK63HU / BK63H



Miniature Circuit Breakers

BK63HU UL489 MCB

- Pole : 1P, 2P, 3P
- Rated current : 1~63A
- Curve : B, C, D, K
- Rated short current : 10kA
- Accessory : AX, AL, SHT, UVT



BK63HU 1P



BK63HU 2P



BK63HU 3P

Ratings

Performance	UL489 MCB	
Standard	UL489, UL486E(Lug)	
Protection	Overload, short circuit	
Rated current	1, 2, 3, 4, 5, 6, 8, 10, 15, 16, 20, 25, 30, 32, 40, 50, 63A	
Number of poles	1P, 2P, 3P	
Rated short circuit capacity	AC	DC
	1P : 10kA@120/240VAC, 10kA@277VAC (1~25A) 10kA@120/240VAC(30~63A) 2P, 3P : 10kA@240VAC, 480Y/277VAC(1~25A) 10kA@240VAC(30~63A)	1P : 10kA@60VDC 2P, 3P : 10kA@125VDC
Rated frequency	50/60 Hz	
Reference temperature	40°C	
Normal ambient temperature	-5 ~ 40°C	
Tripping curve	B, C, D, K curve	
Trip type	Thermal magnetic	
Type of terminals	Terminal with stirrup (Indirect pressure)	
Terminal size acceptability-min/max	14 / 4AWG	
Tightening torque	3.9 Nm (35 lbf-in)	
Installation	Mounting on 35mm DIN rail	
Dimension of specimen (W×H×D)	18×105×66 (1P)	
Protection degree	IP20	
Accessory	AX-HU, AL-HU, SHT-HU, UVT-HU	
Relative humidity	45~85%RH	
Electrical endurance	6,000	
Maximum switching frequency (Time/h)	360/h	
Approvals	UL, CB, ABS	

BK63H UL1077 MCB

- Pole : 1P, 2P, 3P, 4P
- Rated current : 1~63A
- Curve : B, C, D
- Rated short current : 10kA
- Accessory : AX, AL, SHT, UVT



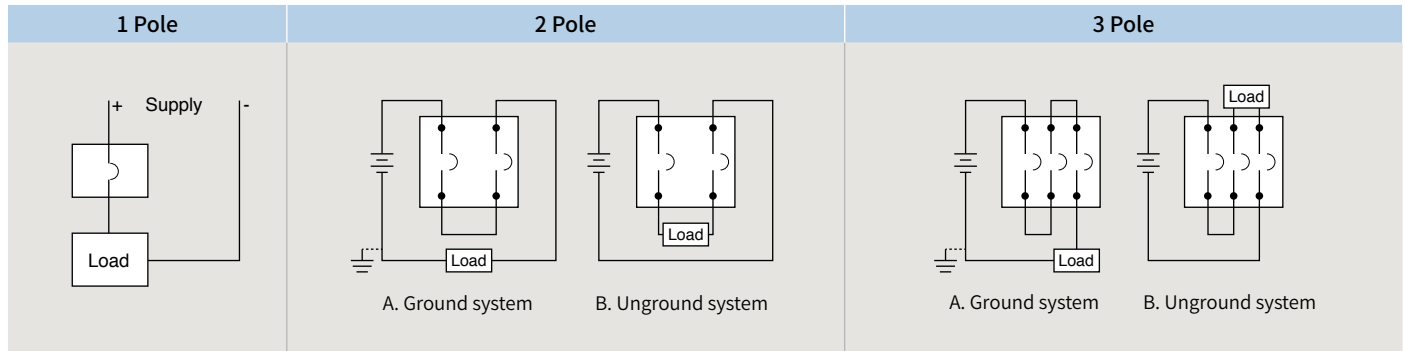
Ratings

Performance	UL1077 MCB	
Standard	UL 1077	
Protection	Overload, short circuit	
Rated current	1, 2, 3, 4, 5, 6, 8, 10, 15, 16, 20, 25, 30, 32, 40, 50, 63A	
Number of poles	1P, 2P, 3P, 4P	
Rated short circuit capacity	AC	DC
	1P : 10kA@120/240VAC 6kA@277VAC 2P~4P : 10kA@120/240VAC 6kA@480Y/277VAC	1P : 10kA@60VDC 2P~4P : 10kA@125VDC
Rated frequency	50/60 Hz	
Reference temperature	40°C	
Normal ambient temperature	-5 ~ 40°C	
Tripping curve	B, C, D curve	
Trip type	Thermal magnetic	
Type of terminals	Terminal with stirrup (Indirect pressure)	
Terminal size acceptability-min/max	14 / 4AWG	
Tightening torque	2Nm (17.5 lbf-in)	
Installation	Mounting on 35mm DIN rail	
Dimension of specimen (W×H×D)	18×81×66 (1P)	
Protection degree	IP20	
Accessory	AX-H, AL-H, SHT-H, UVT-H	
Relative humidity	45~85%RH	
Electrical endurance	6,000	
Maximum switching frequency (Time/h)	360/h	
Approvals	UL, CB, ABS	

Miniature Circuit Breakers

Accessory / Circuit diagrams (BK63HU)

Exemplary DC circuit diagrams (BK63HU)



UL489 accessory

Type	AX-H	AL-H
Appearance		
Rating	AC circuit 6A at 240VAC 3A at 415VAC DC circuit 1A at 110VDC 2A at 48VDC	
Contact		
Dimension(W×H×D)	9 × 105 × 66	

Type	SHT-HU	UVT-HU
Appearance		
Control voltage [Ue]	AC 110~380V DC 60~220V	AC 110~120V AC 220~240V AC 380~415V
Operation voltage	80~110% Ue	-
Trip voltage	-	35~70% Ue
Dimension(W×H×D)	18 × 105 × 66	

UL1077 accessory

Type	AX-H	AL-H
Appearance		
Rating	AC circuit 6A at 240VAC 3A at 415VAC DC circuit 1A at 110VDC	
Contact		
Dimension(W×H×D)	9 × 81 × 66	

Type	SHT-H	UVT-H
Appearance		
Control voltage [Ue]	AC 110~380V DC 60~220V	AC 110~120V AC 220~240V AC 380~415V
Operation voltage	80~110% Ue	-
Trip voltage	-	35~70% Ue
Dimension(W×H×D)	18 × 81 × 66	

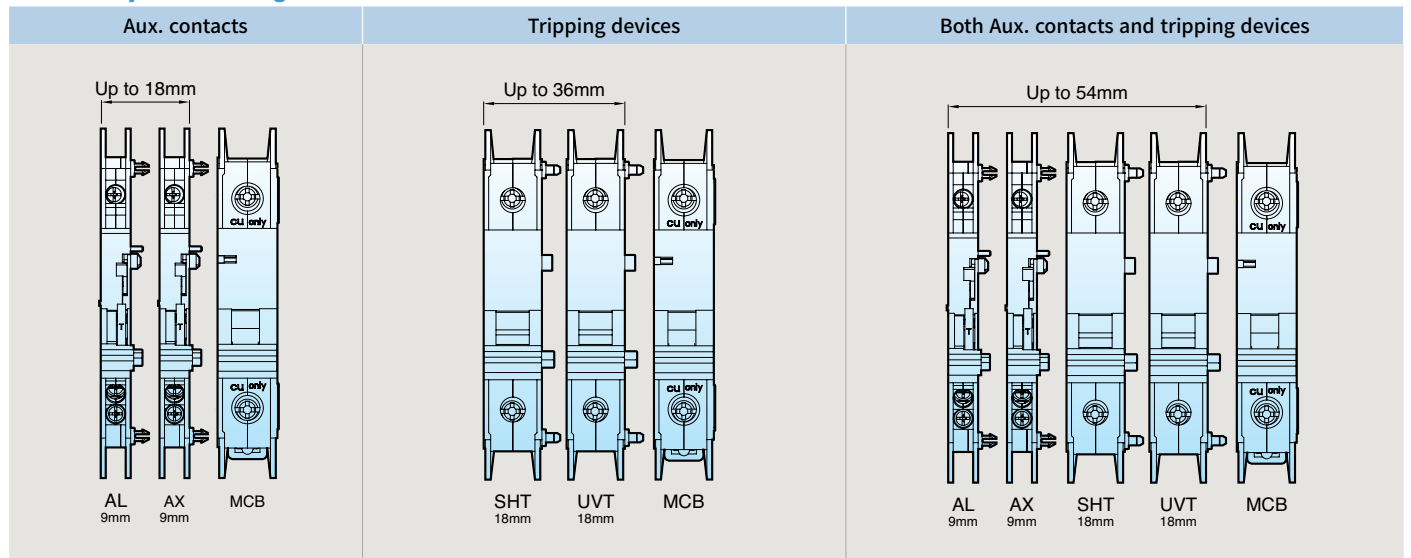
Numbering system / Accessory connecting

UL 489/1077 MCB

BK	63H	U	1P	B	63A	10kA	240VAC	UL489
Series	AF	Standard	Pole	Type	A	kA	Rated voltage	Standard
MCB	63	U UL489 UL1077	1P 2P 3P 4P	B-Type C-Type D-Type K-Type	1, 2, 3, 4, 5, 6, 8, 10, 15, 16, 20, ,25, 30, 32, 40, 50, 63	6 10	120/240VAC 240VAC 277VAC 480Y/277VAC	UL489 UL1077

AX	H	UL1077
Accessory	Applicable product	Applied standard
AX Auxiliary switch	H (UL1077) BK63H	UL1077 UL1077
AL Alarm switch	HU (UL489) BK63HU	UL489 UL489
SHUT Shunt trip device		
UVT Under voltage trip device		

Accessory connecting

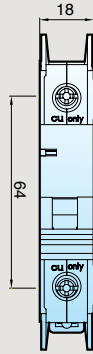
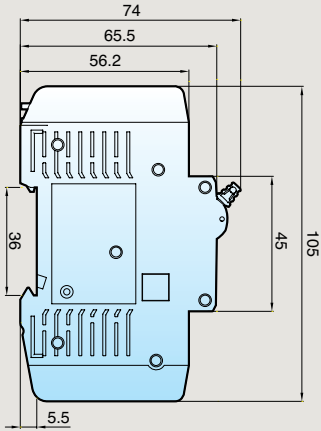


Miniature Circuit Breakers

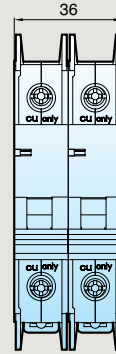
Dimension / Operating curve

UL489 MCB

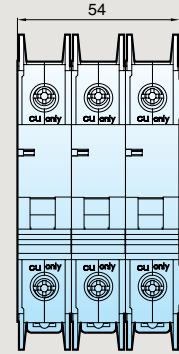
BK63HU



1P : 130g

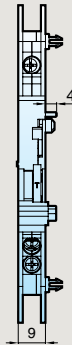
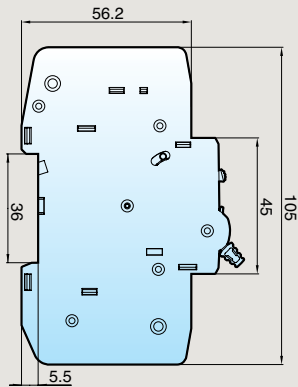


2P : 260g

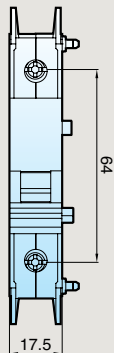
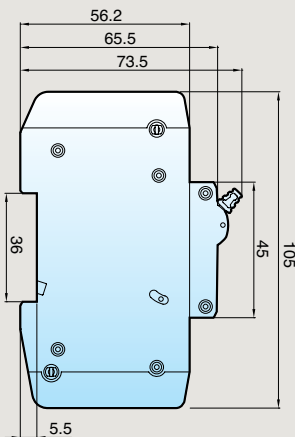


3P : 390g

AX-HU/AL-HU



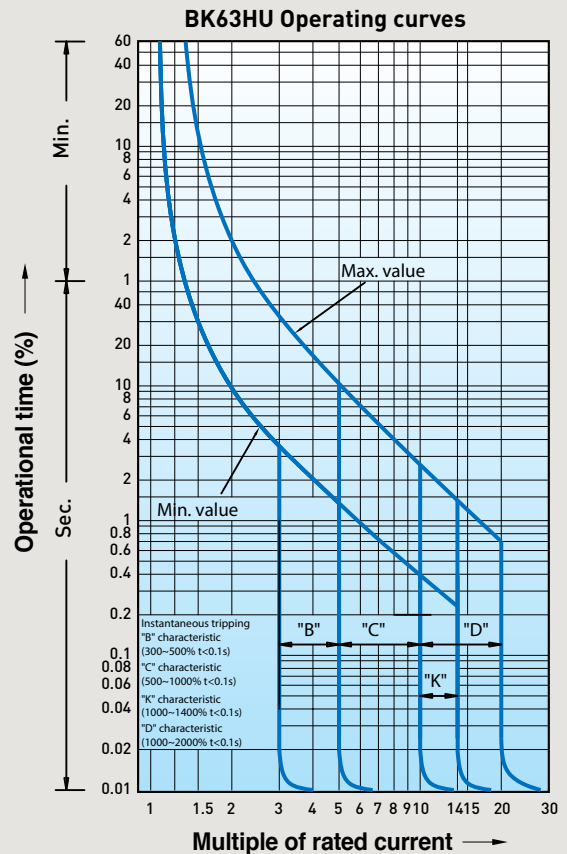
SHT-HU/UVT-HU



SHT : 100g / UVT : 110g

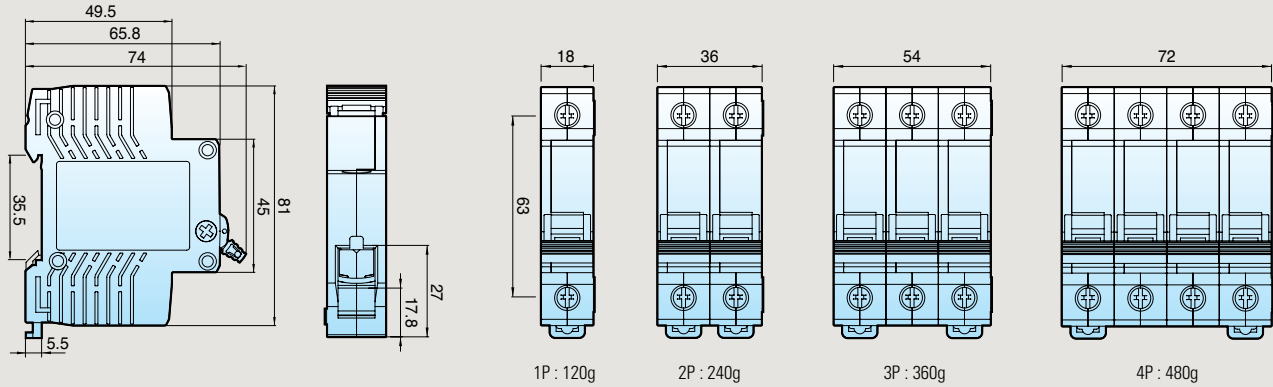
AX : 48g / AL : 48g

UL489 MCB operating curve

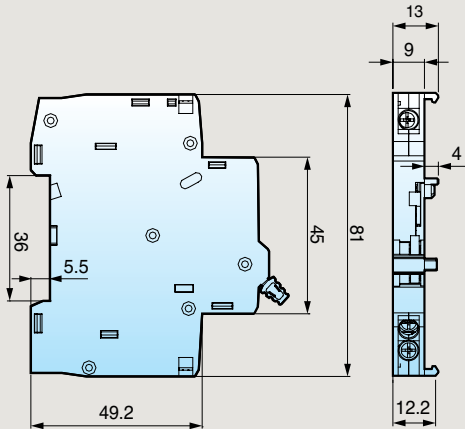


UL1077 MCB

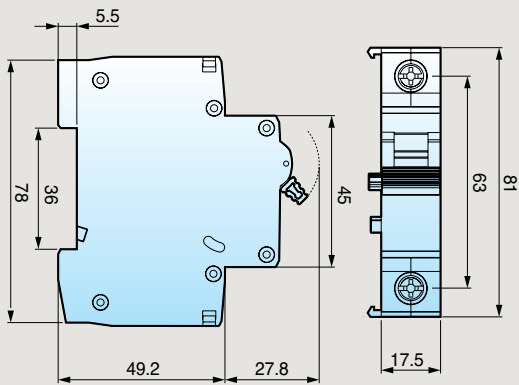
BK63H



AX-H/AL-H



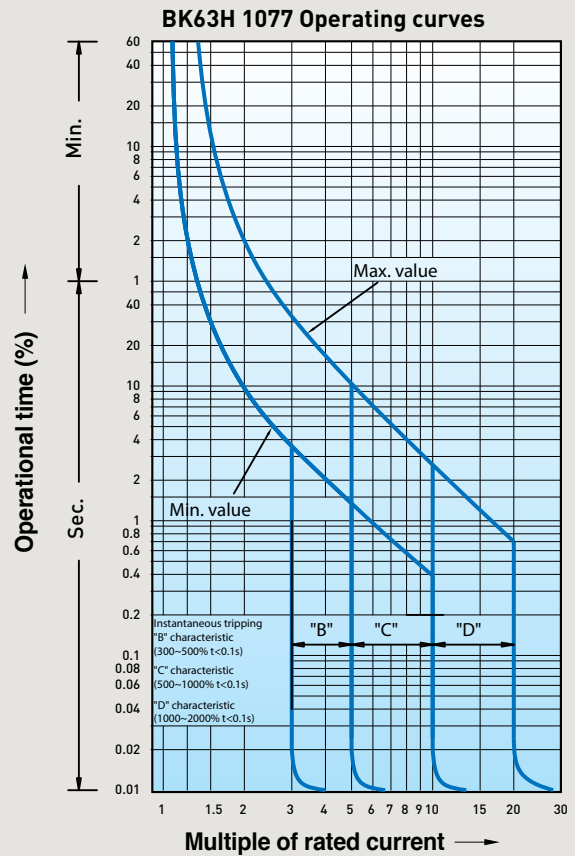
SHT-H/UVT-H



SHT : 100g / UVT : 110g

AX : 48g / AL : 48g

UL 1077 MCB operating curve



Accessory (Locking device)

Code	Name	ea
06410096	Locking device	1set (12ea)



Type	UVT-H
<p>* Press button and insert into the handle</p>	<ul style="list-style-type: none"> • Lock: Ø7.0 • Weight: Not less than 120g • Do not pull over by 10kg, for more



• According to The WEEE Directive, please do not discard the device with your household waste.



Susol UL MCCB



www.lselectric.co.kr

■ LS ELECTRIC America Inc. (Chicago, USA)

980 Woodlands Parkway, Vernon Hills, IL 60061
Tel: 1-800-891-2941 E-Mail: sales.us@lselectricamerica.com

■ Headquarter

LS-ro 127(Hogye-dong) Dongan-gu, Anyang-si, Gyeonggi-Do, 14119, Korea

■ Seoul Office

LS Yongsan Tower, 92, Hangang-daero, Yongsan-gu, Seoul, 04386, Korea
Tel: 82-2-2034-4916, 4684, 4429

■ Overseas Subsidiaries

• LS ELECTRIC Japan Co., Ltd. (Tokyo, Japan)

Tel: 81-3-6268-8241 E-Mail: jschuna@lselectric.biz

• LS ELECTRIC (Dalian) Co., Ltd. (Dalian, China)

Tel: 86-411-8730-5872 E-Mail: jiheo@lselectric.com.cn

• LS ELECTRIC (Wuxi) Co., Ltd. (Wuxi, China)

Tel: 86-510-6851-6666 E-Mail: sblee@lselectric.co.kr

• LS ELECTRIC Vietnam Co., Ltd.

Tel: 84-93-631-4099 E-Mail: jhchoi4@lselectric.biz (Hanoi)
Tel: 84-28-3823-7890 E-Mail: sjbaik@lselectric.biz (Hochiminh)

• LS ELECTRIC Middle East FZE (Dubai, U.A.E.)

Tel: 971-4-886-5360 E-Mail: hschoib@lselectric.biz

• LS ELECTRIC Europe B.V. (Hoofddorp, Netherlands)

Tel: 31-20-654-1424 E-Mail: europartner@lselectric.biz

■ Overseas Branches

• LS ELECTRIC Tokyo Office (Japan)

Tel: 81-3-6268-8241 E-Mail: jschuna@lselectric.biz

• LS ELECTRIC Beijing Office (China)

Tel: 86-10-5095-1631 E-Mail: chendm@khpaek.com.cn

• LS ELECTRIC Shanghai Office (China)

Tel: 86-21-5237-9977 E-Mail: khpaek@lselectric.com.cn

• LS ELECTRIC Guangzhou Office (China)

Tel: 86-20-3818-2883 E-Mail: chenxs@lselectric.com.cn

• LS ELECTRIC Chengdu Office (China)

Tel: 86-28-8670-3201 E-Mail: yangcf@lselectric.com.cn

• LS ELECTRIC Qingdao Office (China)

Tel: 86-532-8501-2065 E-Mail: wangzy@lselectric.com.cn

• LS ELECTRIC Nanjing Office (China)

Tel: 86-25-8467-0005 E-Mail: ylong@lselectric.com.cn

• LS ELECTRIC Bangkok Office (Thailand)

Tel: 66-90-950-9683 E-Mail: sjleet@lselectric.biz

• LS ELECTRIC Jakarta Office (Indonesia)

Tel: 62-21-2933-7614 E-Mail: ylee@lselectric.biz

• LS ELECTRIC Moscow Office (Russia)

Tel: 7-499-682-6130 E-Mail: jdpark1@lselectric.biz

• LS ELECTRIC America Western Office (Irvine, USA)

Tel: 1-949-333-3140 E-Mail: jwyun@lselectricamerica.com