



# SF<sub>6</sub> Gas Free MV Switchgear

25.8kV Solid Insulated Switchgear

# Solid Insulated Switchgear

## Environmental Safety without SF<sub>6</sub> gas

25.8kV 25kA 2000/630A

SIS, Solid Insulated Switchgear, is a epoxy insulated type medium voltage switchgear that is designed specially according to the policy of the environmental safety by no using SF<sub>6</sub> gas. The circuit breaker, disconnecter and earthing switch positioned in a cubicle are insulated by epoxy resin, and which shows truly environment-friendly and maintenance-free product with high performance.



Flexibility  
in the system  
organization

Environment  
- friendly  
SF<sub>6</sub> free

Solid Insulated Switchgear

Compact  
and  
light weight

Reliability &  
Solid  
Insulated

## Feature

### Economic and practical

- SF<sub>6</sub> Gas free eco-friendly devices
- Compact and light weight
- Flexibility in the system organization module type

### Reliability

- Eco-friendly epoxy embedded vacuum interrupter (New excellent technology in Korea)
- Permanent Magnetic Actuator offering high performance
- Reliability of insulation proven in the test of over-voltage, long service life, thermal shock and moisture penetration

### Safety

- Phase isolation & Earth of outer surface by metalizing
- Prevention of miss-operation by preparing for electrical interlocking
- Easy to handle by modulation of each component

## The advanced switchgear by solid insulation technology



SF6 Gas Insulated Switchgear



Solid Insulated Switchgear

- SF6 gas insulation
- VI with gas insulation
- Electric spring mechanism
- Assembly of welding tanks
- Conventional CT/PT

- Solid insulation with epoxy resin
- Epoxy embedded VI
- PMA mechanism
- Modulation of components
- ECT/EVT, conventional CT/PT available

### Advanced component

#### Embedded VI (NET registered technology)

- Non-cushion combination technology
- Interfacing technology between VI and Epoxy resin
- Design technology of embedded VI shield



#### Disconnecting & Earthing S/W

- Epoxy sliding technology in DS/ES parts



#### PMA Mechanism

- Suitable for VI characteristics
- Stable and intelligent characteristics of operation
- Maintenance-free, No wearing, High reliability



# 25.8kV Single - Bus Type

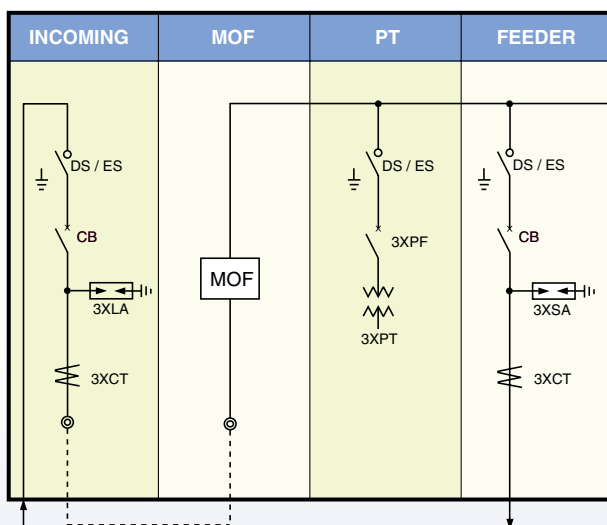
## Specification

### Single-Bus Type

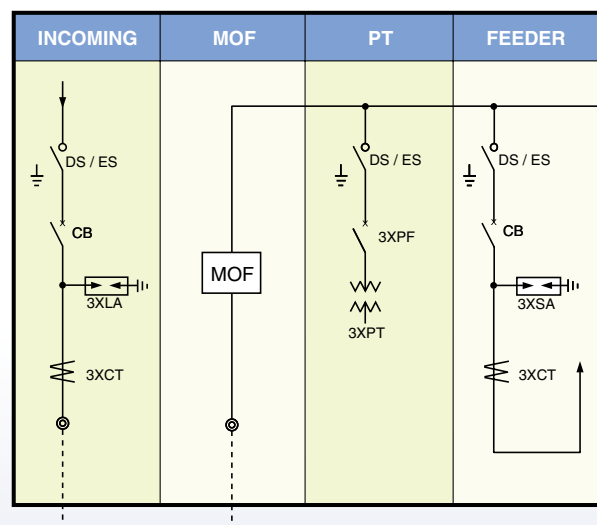


Section	Contents
Rated voltage (kV)	25.8
Rated current (A)	2,000 & 630
Rated power frequency withstand voltage (kV/1min)	70
Rated lightning impulse withstand voltage (kV/1.2X50μs)	150
Rated frequency (Hz)	60
Rated short-time withstand current (kA/s)	25/3
Control Voltage (V)	AC 220/DC 110
Degree of protection (IP)	4X
Size (W×D×H) (mm)	600×2050×1850
Insulation material	Epoxy Resin
Standard	IEC6221-200
Certification	KERI

### Bottom incoming / Outgoing



### Top incoming / Outgoing

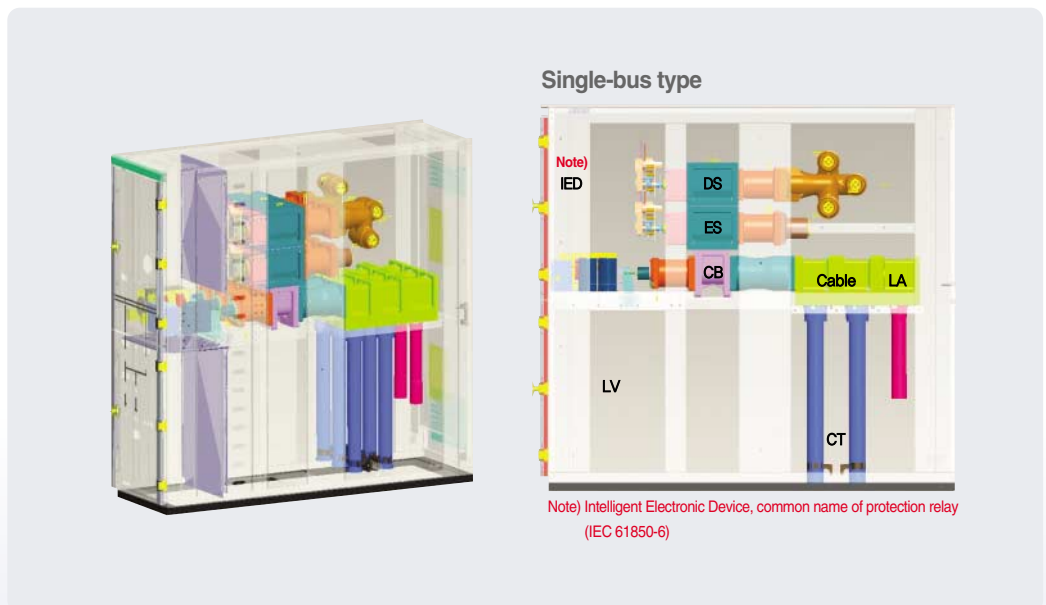


## Appearance



## Construction

### Incoming Panel Model



# 25.8kV Double - Bus Type

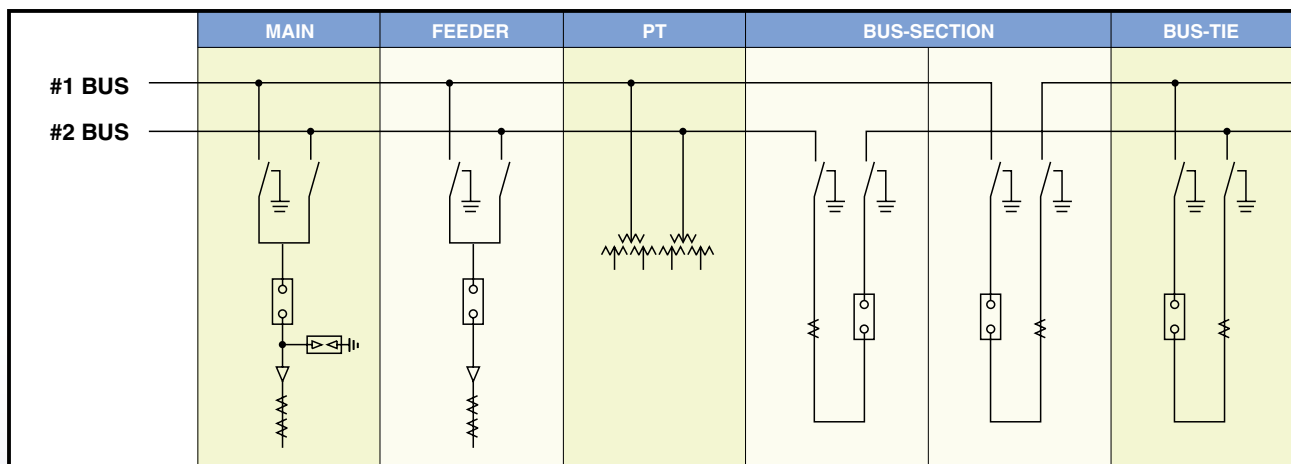
## Specification



### Double-Bus Type

Section	Contents
Rated voltage (kV)	25.8
Rated current (A)	2,000 & 630
Rated power frequency withstand voltage (kV/1min)	70
Rated lightning impulse withstand voltage (kV/1.2X50μs)	150
Rated frequency (Hz)	60
Rated short-time withstand current (kA/s)	25/1
Control Voltage (V)	AC 220/DC 125
Degree of protection (IP)	4X
Electrical durability (Class)	E2
Size (W×D×H) (mm)	600×2240×2315
Insulation material	Epoxy Resin
Standard	KEPCO, GS-5925-0128
Certification	KERI

### Bottom incoming / outgoing

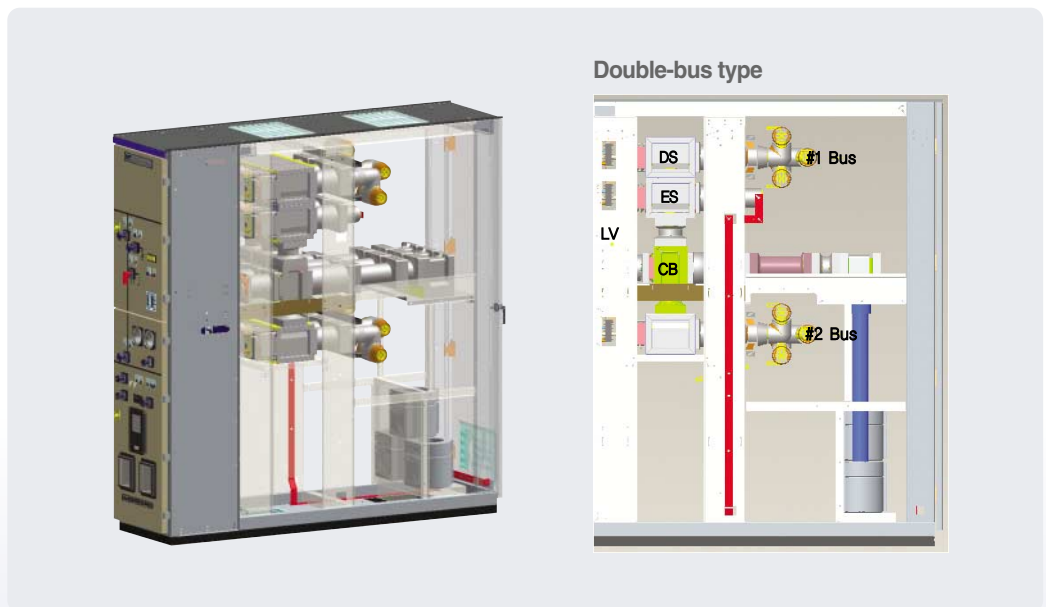


## Appearance



## Construction

### Feeder Panel Model



## Green Innovators of Innovation



### Safety Instructions

- For your safety, please read user's manual thoroughly before operating.
- Contact the nearest authorized service facility for examination, repair, or adjustment.
- Please contact a qualified service technician when you need maintenance. Do not disassemble or repair by yourself!
- Any maintenance and inspection shall be performed by the personnel having expertise concerned.

LSIS Co., Ltd.

© 2010.3 LSIS Co.,Ltd. All rights reserved.

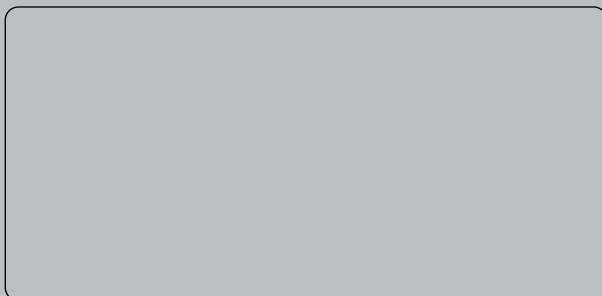
[www.lsis.biz](http://www.lsis.biz)

### ■ HEAD OFFICE

Korea Gyeonggi-do Anyang-si dongan-gu  
LS-ro 127 (Hogye-dong)  
Tel. (82-2)2034-4887, 4873, 4148  
Fax. (82-2)2034-4648

### ■ CHEONG-JU PLANT

Cheong-Ju Plant #1, Song Jung Dong, Hung Duk Ku,  
Cheong Ju, 361-720, Korea



Specifications in this catalog are subject to change without notice due to continuous product development and improvement.

### ■ Global Network

- **LSIS (Middle East) FZE >> Dubai, U.A.E.**  
Address: LOB 19 JAFZA VIEW TOWER Room 205, Jebel Ali Freezone P.O. Box 114216, Dubai, United Arab Emirates  
Tel: 971-4-886 5360 Fax: 971-4-886-5361 e-mail: jungyongl@lsis.biz
- **Dalian LSIS Co., Ltd. >> Dalian, China**  
Address: No.15, Liaohexi 3-Road, Economic and Technical Development zone, Dalian 116600, China  
Tel: 86-411-8273-7777 Fax: 86-411-8730-7560 e-mail: lixx@lsis.com.cn
- **LSIS (Wuxi) Co., Ltd. >> Wuxi, China**  
Address: 102-A, National High & New Tech Industrial Development Area, Wuxi, Jiangsu, 214028, P.R.China  
Tel: 86-510-8534-6666 Fax: 86-510-522-4078 e-mail: xuhg@lsis.com.cn
- **LSIS-VINA Co., Ltd. >> Hanoi, Vietnam**  
Address: Nguyen Khe - Dong Anh - Ha Noi - Viet Nam  
Tel: 84-4-882-0222 Fax: 84-4-882-0220 e-mail: srjo@lsisvina.com
- **LSIS-VINA Co., Ltd. >> Hochiminh, Vietnam**  
Address: 41 Nguyen Thi Minh Khai Str. Yoco Bldg 4th Floor, Hochiminh City, Vietnam  
Tel: 84-8-3822-7941 Fax: 84-8-3822-7942 e-mail: sbpark@lsisvina.com
- **LSIS Shanghai Office >> Shanghai, China**  
Address: Room E-G, 12th Floor Huamin Empire Plaza, No.726, West Yan'an Road Shanghai 200050, P.R. China  
Tel: 86-21-5237-9977 (609) Fax: 89-21-5237-7191 e-mail: jinhk@lsis.com.cn
- **LSIS Beijing Office >> Beijing, China**  
Address: B-Tower 17FL.Beijing Global Trade Center B/D. No.36, BeiSanHuanDong-Lu, DongCheng-District, Beijing 100013, P.R. China  
Tel: 86-10-5825-6025,7 Fax: 86-10-5825-6026 e-mail: cuixiaorong@lsis.com.cn
- **LSIS Guangzhou Office >> Guangzhou, China**  
Address: Room 1403,14F,New Poly Tower,2 Zhongshan Liu Road,Guangzhou, P.R. China  
Tel: 86-20-8326-6764 Fax: 86-20-8326-6287 e-mail: linsz@lsis.biz
- **LSIS Chengdu Office >> Chengdu, China**  
Address: Room 1701 17Floor, huanminhanjun international Building, No1 Fuxing Road Chengdu, 610041, P.R. China  
Tel: 86-28-8670-3101 Fax: 86-28-8670-3203 e-mail: yangcf@lsis.com.cn
- **LSIS Qingdao Office >> Qingdao, China**  
Address: 7B40,Haixin Guangchang Sheny Building B, No.9, Shandong Road Qingdao 26600, P.R. China  
Tel: 86-532-8501-6568 Fax: 86-532-583-3793 e-mail: lirj@lsis.com.cn
- **LSIS NETHERLANDS Co.Ltd >> Qingdao, Netherlands**  
Address: 1st. Floor, Tupolevlaan 48, 1119NZ,Schiphol-Rijk, The Netherlands  
Tel: 31-20-654-1420 Fax: 31-20-654-1429 e-mail: junshickp@lsis.biz
- **LSIS Gurgaon Office >> Gurgaon, India**  
Address: 109 First Floor, Park Central, Sector-30, Gurgaon- 122 002, Haryana, India