



Beyond™

L-Series UL MCB

Bolt-on & Plug-on type Miniature Circuit Breakers



LS ELECTRIC

Compact Size, High-Breaking Performance A New Standard for Ultra-Compact Miniature Circuit Breakers



High performance

Up to 14 kA interrupting rating at 480Y/277 V (1-32 A). C- and D-curve trip characteristics provide flexible protection across a wide range of applications.



Easy installation

Plug-on or bolt-on options with line-side terminations support fast installation and easy replacement.



Reliable connections

Bolt-on designs help maintain secure connections in vibration- and shock-prone environments. Plug-on types enable strong fastening when used with the non-energized bolting cover accessory.



Expanded functionality

Built-in status indicator provides clear breaker position visibility. A wide range of accessories supports enhanced monitoring and control.



Beyond XTM

L-Series UL MCB
Bolt-on & Plug-on type Miniature Circuit Breakers



LA63UB (Bolt-on MCB)

LA63UP (Plug-on MCB)



Contents

| | |
|---------------------------|----|
| Specification | 04 |
| Ordering system | 05 |
| Dimensions | 08 |
| Technical Data | 09 |
| Installation Manual | 10 |

Specification

LA63UB (Bolt-on MCB)



LA63UP (Plug-on MCB)



| Type | | | LA63UB | LA63UP | |
|--|------------------------------|---|--|--------------|--------------|
| Electrical Features | Standard | | UL489 | | |
| | Approvals | | CE, CB, KC | | |
| | Protection | | Overload, short circuit | | |
| | Number of poles | | 1P, 2P, 3P | | |
| | Rated current (In) | | (1, 2, 3, 4) ^{Note 1} 5, 6, 7, 8, 10, 13, 15, 16, 20, 25, 30, 32, 35, 40, 50, 60, 63A | | |
| | Rated short circuit capacity | Standard | Rated voltage | 1P | 2P, 3P |
| | | | AC 277V | 14kA (1~32A) | - |
| | | AC 120/240V | 10kA (1~63A) | - | |
| | | UL489 | AC 480Y/277V | - | 14kA (1~32A) |
| | | | AC 240V | - | 10kA (1~63A) |
| | | | DC 65V | 10kA (1~63A) | - |
| | | | DC 125V | - | 10kA (1~63A) |
| | | IEC60947-2 | AC 230V/240V | 10kA (1~63A) | - |
| | AC 400/415V | | - | 10kA (1~63A) | |
| | Insulation voltage (Ui) | | 500V | | |
| Rated frequency | | 50/60Hz | | | |
| Rated impulse withstand voltage (Uimp) | | 4kV | | | |
| Tripping curve | | C,D Curve | | | |
| Pollution degree | | Deg III | | | |
| Electrical durability | | 6000 | | | |
| Mechanical durability | | 20000 | | | |
| Maximum switching frequency (Time/h) | | 360/h | | | |
| Protection degree | | IP20 | | | |
| Normal ambient temperature | | -25~55 °C | | | |
| Relative humidity | | 45~85%RH | | | |
| Installation | Type of terminal | Line: Plug-on terminal & Bolt-on Terminal / Load: Lug & Screw | | | |
| | Terminal capacity | Cable up to 4 AWG | | | |
| | Tightening torque | 3.9 N.m (35 lbf-in) | | | |
| | Mounting | Bolt-on type | Plug-on type | | |
| Accessories ^{Note 2)} | AX | LA-AXUB | | | |
| | AL | LA-ALUB | | | |
| | SHT | LA-SHTUB | | | |

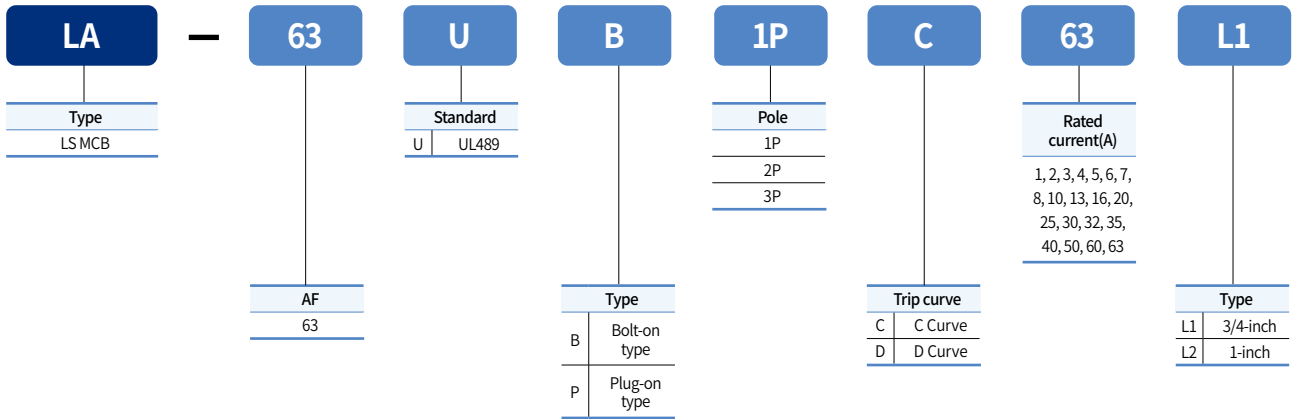
Note) 1. For 1, 2, 3, and 4 A ratings, please contact LS representative if required.

2. The accessory products will be available in December 2026.

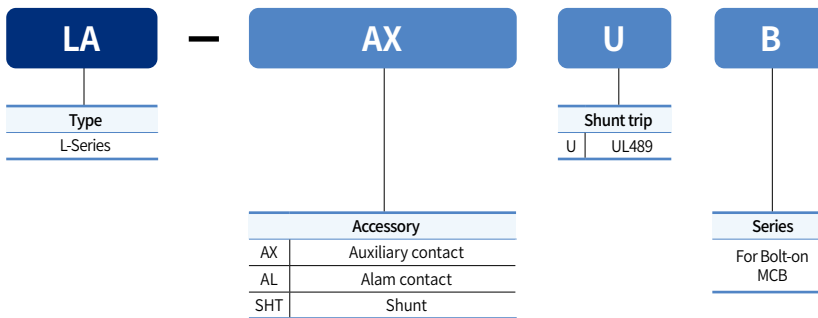
Ordering system

Configuration

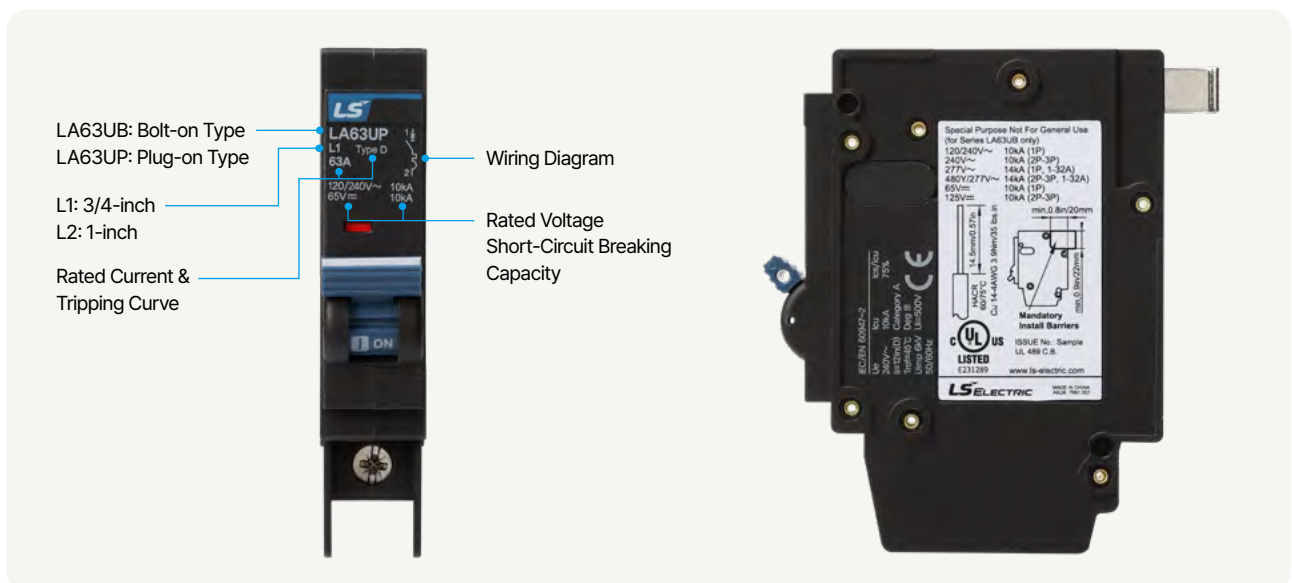
MCB



Accessory



Product appearance



Ordering system

Ordering number

LA63UB (Bolt-on MCB)

| Type | Ue(V) | Breaking Capacity | In(A) | L1 (3/4-inch) | | Weight (g) | Packing (pcs.) | L2 (1-inch) | | Weight (g) | Packing (pcs.) | | | | | |
|------|---------------------------|---|--|----------------------|------------|------------|----------------|----------------------|------------|------------|----------------|---|------------|------------|-----|---|
| | | | | Ordering Number(USA) | | | | Ordering Number(USA) | | | | | | | | |
| | | | | C-Curve | D-Curve | | | C-Curve | D-Curve | | | | | | | |
| 1P | 120/240VAC, 277VAC, 65VDC | 10kA (120V/240VAC), 14kA(277VAC), 10kA(65VDC) | 1A | 7034000163 | 7034002263 | 115 | 12 | 7034012763 | 7034014863 | 120 | 9 | | | | | |
| | | | 2A | 7034000263 | 7034002363 | | | 7034012863 | 7034014963 | | | | | | | |
| | | | 3A | 7034000363 | 7034002463 | | | 7034012963 | 7034015063 | | | | | | | |
| | | | 4A | 7034000463 | 7034002563 | | | 7034013063 | 7034015163 | | | | | | | |
| | | | 5A | 7034000563 | 7034002663 | | | 7034013163 | 7034015263 | | | | | | | |
| | | | 6A | 7034000663 | 7034002763 | | | 7034013263 | 7034015363 | | | | | | | |
| | | | 7A | 7034000763 | 7034002863 | | | 7034013363 | 7034015463 | | | | | | | |
| | | | 8A | 7034000863 | 7034002963 | | | 7034013463 | 7034015563 | | | | | | | |
| | | | 10A | 7034000963 | 7034003063 | | | 7034013563 | 7034015663 | | | | | | | |
| | | | 13A | 7034001063 | 7034003163 | | | 7034013663 | 7034015763 | | | | | | | |
| | | | 15A | 7034001163 | 7034003263 | | | 7034013763 | 7034015863 | | | | | | | |
| | | | 16A | 7034001263 | 7034003363 | | | 7034013863 | 7034015963 | | | | | | | |
| | | | 20A | 7034001363 | 7034003463 | | | 7034013963 | 7034016063 | | | | | | | |
| | | | 25A | 7034001463 | 7034003563 | | | 7034014063 | 7034016163 | | | | | | | |
| | | | 30A | 7034001563 | 7034003663 | | | 7034014163 | 7034016263 | | | | | | | |
| | | | 32A | 7034001663 | 7034003763 | | | 7034014263 | 7034016363 | | | | | | | |
| | 35A | 7034001763 | 7034003863 | 7034014363 | 7034016463 | | | | | | | | | | | |
| | 40A | 7034001863 | 7034003963 | 7034014463 | 7034016563 | | | | | | | | | | | |
| | 50A | 7034001963 | 7034004063 | 7034014563 | 7034016663 | | | | | | | | | | | |
| | 60A | 7034002063 | 7034004163 | 7034014663 | 7034016763 | | | | | | | | | | | |
| | 63A | 7034002163 | 7034004263 | 7034014763 | 7034016863 | | | | | | | | | | | |
| | 2P | 240VAC, 480Y/277VAC, 125VDC | 10kA(240VAC), 14kA (480Y/277VAC), 10kA(125VDC) | 1A | 7034004363 | | | 7034006463 | 230 | | | 6 | 7034016963 | 7034019063 | 240 | 4 |
| | | | | 2A | 7034004463 | | | 7034006563 | | | | | 7034017063 | 7034019163 | | |
| | | | | 3A | 7034004563 | | | 7034006663 | | | | | 7034017163 | 7034019263 | | |
| | | | | 4A | 7034004663 | | | 7034006763 | | | | | 7034017263 | 7034019363 | | |
| | | | | 5A | 7034004763 | | | 7034006863 | | | | | 7034017363 | 7034019463 | | |
| | | | | 6A | 7034004863 | | | 7034006963 | | | | | 7034017463 | 7034019563 | | |
| | | | | 7A | 7034004963 | | | 7034007063 | | | | | 7034017563 | 7034019663 | | |
| | | | | 8A | 7034005063 | | | 7034007163 | | | | | 7034017663 | 7034019763 | | |
| | | | | 10A | 7034005163 | | | 7034007263 | | | | | 7034017763 | 7034019863 | | |
| | | | | 13A | 7034005263 | | | 7034007363 | | | | | 7034017863 | 7034019963 | | |
| | | | | 15A | 7034005363 | | | 7034007463 | | | | | 7034017963 | 7034020063 | | |
| 16A | | | | 7034005463 | 7034007563 | 7034018063 | 7034020163 | | | | | | | | | |
| 20A | | | | 7034005563 | 7034007663 | 7034018163 | 7034020263 | | | | | | | | | |
| 25A | | | | 7034005663 | 7034007763 | 7034018263 | 7034020363 | | | | | | | | | |
| 30A | | | | 7034005763 | 7034007863 | 7034018363 | 7034020463 | | | | | | | | | |
| 32A | | | | 7034005863 | 7034007963 | 7034018463 | 7034020563 | | | | | | | | | |
| 35A | | 7034005963 | 7034008063 | 7034018563 | 7034020663 | | | | | | | | | | | |
| 40A | | 7034006063 | 7034008163 | 7034018663 | 7034020763 | | | | | | | | | | | |
| 50A | | 7034006163 | 7034008263 | 7034018763 | 7034020863 | | | | | | | | | | | |
| 60A | | 7034006263 | 7034008363 | 7034018863 | 7034020963 | | | | | | | | | | | |
| 63A | | 7034006363 | 7034008463 | 7034018963 | 7034021063 | | | | | | | | | | | |
| 3P | | 240VAC, 480Y/277VAC, 125VDC | 10kA(240VAC), 14kA (480Y/277VAC), 10kA(125VDC) | 1A | 7034008563 | 7034010663 | 345 | 4 | | 7034021163 | 7034023263 | | 360 | 3 | | |
| | | | | 2A | 7034008663 | 7034010763 | | | | 7034021263 | 7034023363 | | | | | |
| | | | | 3A | 7034008763 | 7034010863 | | | | 7034021363 | 7034023463 | | | | | |
| | | | | 4A | 7034008863 | 7034010963 | | | | 7034021463 | 7034023563 | | | | | |
| | | | | 5A | 7034008963 | 7034011063 | | | | 7034021563 | 7034023663 | | | | | |
| | | | | 6A | 7034009063 | 7034011163 | | | | 7034021663 | 7034023763 | | | | | |
| | | | | 7A | 7034009163 | 7034011263 | | | | 7034021763 | 7034023863 | | | | | |
| | | | | 8A | 7034009263 | 7034011363 | | | | 7034021863 | 7034023963 | | | | | |
| | | | | 10A | 7034009363 | 7034011463 | | | | 7034021963 | 7034024063 | | | | | |
| | | | | 13A | 7034009463 | 7034011563 | | | | 7034022063 | 7034024163 | | | | | |
| | | | | 15A | 7034009563 | 7034011663 | | | | 7034022163 | 7034024263 | | | | | |
| | 16A | | | 7034009663 | 7034011763 | 7034022263 | | | 7034024363 | | | | | | | |
| | 20A | | | 7034009763 | 7034011863 | 7034022363 | | | 7034024463 | | | | | | | |
| | 25A | | | 7034009863 | 7034011963 | 7034022463 | | | 7034024563 | | | | | | | |
| | 30A | | | 7034009963 | 7034012063 | 7034022563 | | | 7034024663 | | | | | | | |
| | 32A | | | 7034010063 | 7034012163 | 7034022663 | | | 7034024763 | | | | | | | |
| | 35A | 7034010163 | 7034012263 | 7034022763 | 7034024863 | | | | | | | | | | | |
| | 40A | 7034010263 | 7034012363 | 7034022863 | 7034024963 | | | | | | | | | | | |
| | 50A | 7034010363 | 7034012463 | 7034022963 | 7034025063 | | | | | | | | | | | |
| | 60A | 7034010463 | 7034012563 | 7034023063 | 7034025163 | | | | | | | | | | | |
| | 63A | 7034010563 | 7034012663 | 7034023163 | 7034025263 | | | | | | | | | | | |
| | | 10kA(240VAC), 10kA(125VDC) | 35A | 7034010163 | 7034012263 | | | | | 7034022763 | 7034024863 | | | | | |
| | | | 40A | 7034010263 | 7034012363 | | | | | 7034022863 | 7034024963 | | | | | |
| | | | 50A | 7034010363 | 7034012463 | | | | | 7034022963 | 7034025063 | | | | | |
| | | | 60A | 7034010463 | 7034012563 | | | | | 7034023063 | 7034025163 | | | | | |
| | | | 63A | 7034010563 | 7034012663 | | | | | 7034023163 | 7034025263 | | | | | |

LA63UP (Plug-on MCB)

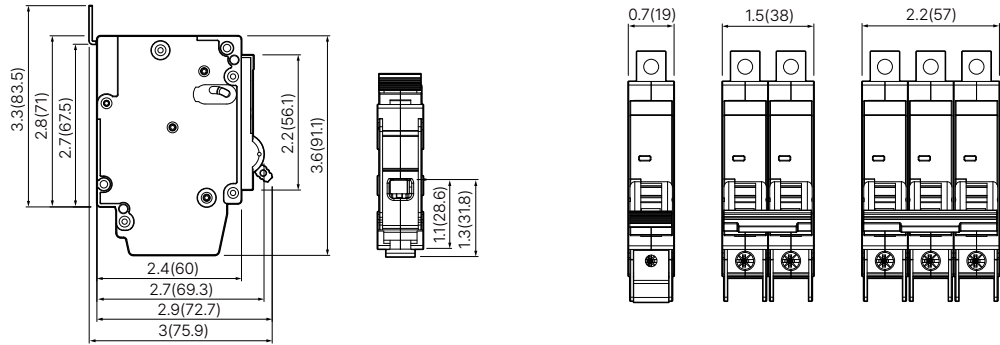
| Type | Ue(V) | Breaking Capacity | In(A) | L1 (3/4-inch) | | | L2 (1-inch) | | | | | | | | | | | |
|----------------------------|---------------------------|---|------------|-----------------------------|--|------------|----------------|----------------------|------------|------------|----------------|------------|-----|---|------------|------------|-----|---|
| | | | | Ordering Number(USA) | | Weight (g) | Packing (pcs.) | Ordering Number(USA) | | Weight (g) | Packing (pcs.) | | | | | | | |
| | | | | C-Curve | D-Curve | | | C-Curve | D-Curve | | | | | | | | | |
| 1P | 120/240VAC, 277VAC, 65VDC | 10kA (120V/240VAC), 14kA(277VAC), 10kA(65VDC) | 1A | 7034000163 | 7034002263 | 115 | 12 | 7034012763 | 7034014863 | 120 | 9 | | | | | | | |
| | | | 2A | 7034000263 | 7034002363 | | | 7034012863 | 7034014963 | | | | | | | | | |
| | | | 3A | 7034000363 | 7034002463 | | | 7034012963 | 7034015063 | | | | | | | | | |
| | | | 4A | 7034000463 | 7034002563 | | | 7034013063 | 7034015163 | | | | | | | | | |
| | | | 5A | 7034000563 | 7034002663 | | | 7034013163 | 7034015263 | | | | | | | | | |
| | | | 6A | 7034000663 | 7034002763 | | | 7034013263 | 7034015363 | | | | | | | | | |
| | | | 7A | 7034000763 | 7034002863 | | | 7034013363 | 7034015463 | | | | | | | | | |
| | | | 8A | 7034000863 | 7034002963 | | | 7034013463 | 7034015563 | | | | | | | | | |
| | | | 10A | 7034000963 | 7034003063 | | | 7034013563 | 7034015663 | | | | | | | | | |
| | | | 13A | 7034001063 | 7034003163 | | | 7034013663 | 7034015763 | | | | | | | | | |
| | | | 15A | 7034001163 | 7034003263 | | | 7034013763 | 7034015863 | | | | | | | | | |
| | | | 16A | 7034001263 | 7034003363 | | | 7034013863 | 7034015963 | | | | | | | | | |
| | | | 20A | 7034001363 | 7034003463 | | | 7034013963 | 7034016063 | | | | | | | | | |
| | | | 25A | 7034001463 | 7034003563 | | | 7034014063 | 7034016163 | | | | | | | | | |
| | | | 30A | 7034001563 | 7034003663 | | | 7034014163 | 7034016263 | | | | | | | | | |
| | | | 32A | 7034001663 | 7034003763 | | | 7034014263 | 7034016363 | | | | | | | | | |
| | | | 35A | 7034001763 | 7034003863 | | | 7034014363 | 7034016463 | | | | | | | | | |
| | | 10kA (120V/240VAC), 10kA(65VDC) | 40A | 7034001863 | 7034003963 | | | 7034014463 | 7034016563 | | | | | | | | | |
| | | | 50A | 7034001963 | 7034004063 | | | 7034014563 | 7034016663 | | | | | | | | | |
| | | | 60A | 7034002063 | 7034004163 | | | 7034014663 | 7034016763 | | | | | | | | | |
| | | | 63A | 7034002163 | 7034004263 | | | 7034014763 | 7034016863 | | | | | | | | | |
| | | | 2P | 240VAC, 480Y/277VAC, 125VDC | 10kA(240VAC), 14kA (480Y/277VAC), 10kA(125VDC) | | | 1A | 7034004363 | | | 7034006463 | 230 | 6 | 7034016963 | 7034019063 | 240 | 4 |
| | | | | | | | | 2A | 7034004463 | | | 7034006563 | | | 7034017063 | 7034019163 | | |
| | | | | | | | | 3A | 7034004563 | | | 7034006663 | | | 7034017163 | 7034019263 | | |
| | | | | | | | | 4A | 7034004663 | | | 7034006763 | | | 7034017263 | 7034019363 | | |
| | | | | | | | | 5A | 7034004763 | | | 7034006863 | | | 7034017363 | 7034019463 | | |
| | | | | | | | | 6A | 7034004863 | | | 7034006963 | | | 7034017463 | 7034019563 | | |
| | | | | | | | | 7A | 7034004963 | | | 7034007063 | | | 7034017563 | 7034019663 | | |
| | | | | | | | | 8A | 7034005063 | | | 7034007163 | | | 7034017663 | 7034019763 | | |
| | | | | | | | | 10A | 7034005163 | | | 7034007263 | | | 7034017763 | 7034019863 | | |
| | | | | | | | | 13A | 7034005263 | | | 7034007363 | | | 7034017863 | 7034019963 | | |
| | | | | | | | | 15A | 7034005363 | | | 7034007463 | | | 7034017963 | 7034020063 | | |
| | | | | | | | | 16A | 7034005463 | | | 7034007563 | | | 7034018063 | 7034020163 | | |
| | | | | | | | | 20A | 7034005563 | | | 7034007663 | | | 7034018163 | 7034020263 | | |
| | | | | | | | | 25A | 7034005663 | | | 7034007763 | | | 7034018263 | 7034020363 | | |
| 30A | 7034005763 | 7034007863 | | | | 7034018363 | 7034020463 | | | | | | | | | | | |
| 32A | 7034005863 | 7034007963 | | | | 7034018463 | 7034020563 | | | | | | | | | | | |
| 35A | 7034005963 | 7034008063 | | | | 7034018563 | 7034020663 | | | | | | | | | | | |
| 10kA(240VAC), 10kA(125VDC) | 40A | 7034006063 | | | 7034008163 | 7034018663 | 7034020763 | | | | | | | | | | | |
| | 50A | 7034006163 | | | 7034008263 | 7034018763 | 7034020863 | | | | | | | | | | | |
| | 60A | 7034006263 | | | 7034008363 | 7034018863 | 7034020963 | | | | | | | | | | | |
| | 63A | 7034006363 | | | 7034008463 | 7034018963 | 7034021063 | | | | | | | | | | | |
| | 3P | 240VAC, 480Y/277VAC, 125VDC | | | 10kA(240VAC), 14kA (480Y/277VAC), 10kA(125VDC) | 1A | 7034008563 | 7034010663 | 345 | 4 | 7034021163 | 7034023263 | | | 360 | 3 | | |
| | | | | | | 2A | 7034008663 | 7034010763 | | | 7034021263 | 7034023363 | | | | | | |
| | | | | | | 3A | 7034008763 | 7034010863 | | | 7034021363 | 7034023463 | | | | | | |
| | | | | | | 4A | 7034008863 | 7034010963 | | | 7034021463 | 7034023563 | | | | | | |
| | | | | | | 5A | 7034008963 | 7034011063 | | | 7034021563 | 7034023663 | | | | | | |
| | | | | | | 6A | 7034009063 | 7034011163 | | | 7034021663 | 7034023763 | | | | | | |
| | | | | | | 7A | 7034009163 | 7034011263 | | | 7034021763 | 7034023863 | | | | | | |
| | | | | | | 8A | 7034009263 | 7034011363 | | | 7034021863 | 7034023963 | | | | | | |
| | | | | | | 10A | 7034009363 | 7034011463 | | | 7034021963 | 7034024063 | | | | | | |
| | | | | | | 13A | 7034009463 | 7034011563 | | | 7034022063 | 7034024163 | | | | | | |
| | | | | | | 15A | 7034009563 | 7034011663 | | | 7034022163 | 7034024263 | | | | | | |
| | | | | | | 16A | 7034009663 | 7034011763 | | | 7034022263 | 7034024363 | | | | | | |
| | | | | | | 20A | 7034009763 | 7034011863 | | | 7034022363 | 7034024463 | | | | | | |
| | | | | | | 25A | 7034009863 | 7034011963 | | | 7034022463 | 7034024563 | | | | | | |
| 30A | | | 7034009963 | 7034012063 | | 7034022563 | 7034024663 | | | | | | | | | | | |
| 32A | | | 7034010063 | 7034012163 | | 7034022663 | 7034024763 | | | | | | | | | | | |
| 10kA(240VAC), 10kA(125VDC) | | | 35A | 7034010163 | | 7034012263 | 7034022763 | 7034024863 | | | | | | | | | | |
| | | | 40A | 7034010263 | 7034012363 | 7034022863 | 7034024963 | | | | | | | | | | | |
| | | | 50A | 7034010363 | 7034012463 | 7034022963 | 7034025063 | | | | | | | | | | | |
| | | | 60A | 7034010463 | 7034012563 | 7034023063 | 7034025163 | | | | | | | | | | | |
| | | | 63A | 7034010563 | 7034012663 | 7034023163 | 7034025263 | | | | | | | | | | | |

Dimensions

LA63UB (Bolt-on MCB)

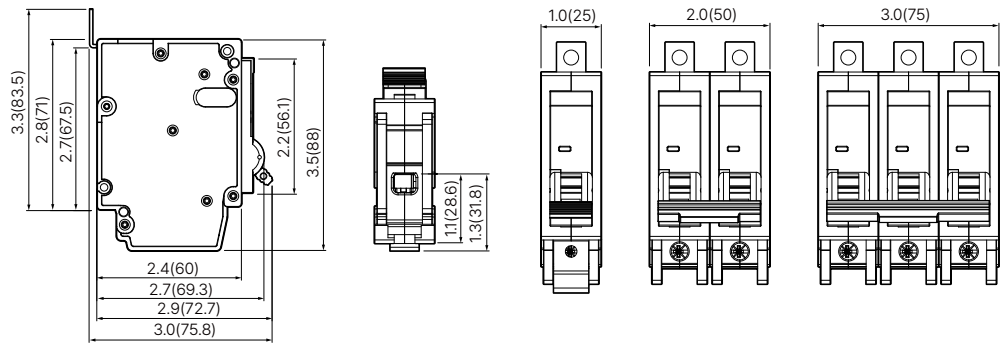
LA63UB L1 (3/4-inch)

[inch (mm)]



LA63UB L2 (1-inch)

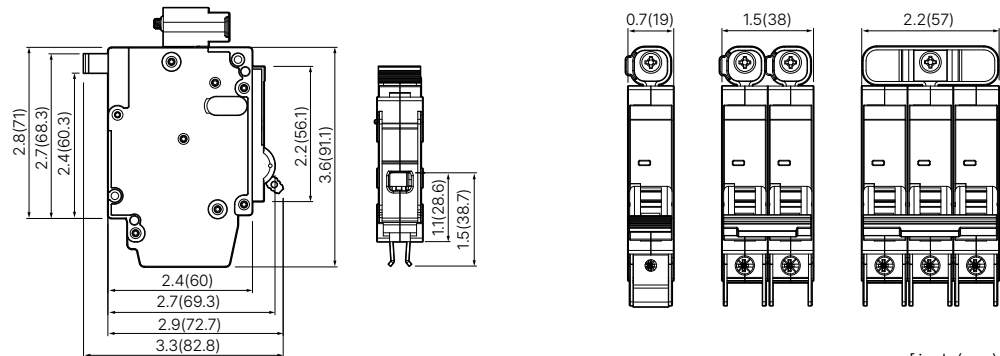
[inch (mm)]



LA63UP (Plug-on MCB)

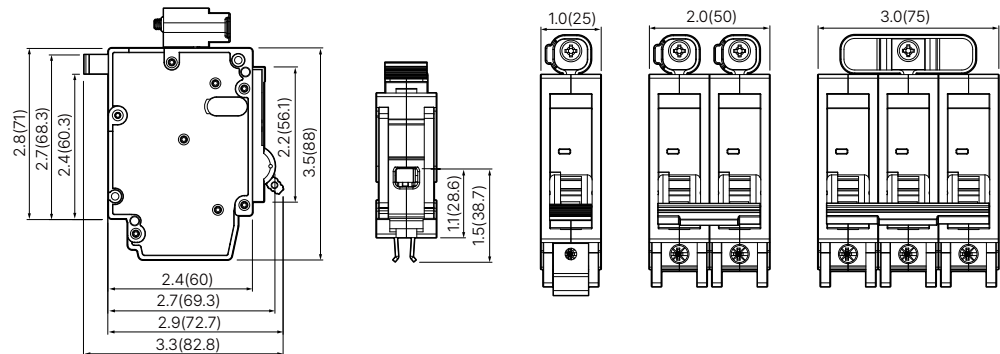
LA63UP L1 (3/4-inch)

[inch (mm)]



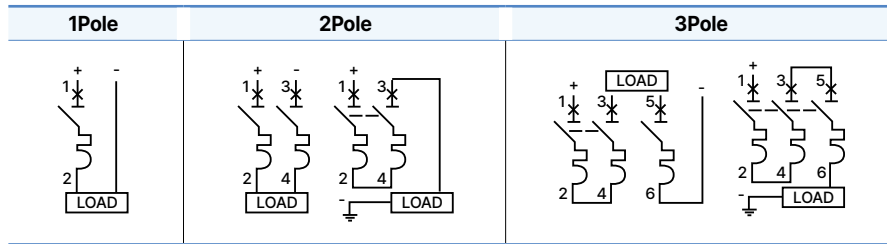
LA63UP L2 (1-inch)

[inch (mm)]



Technical Data

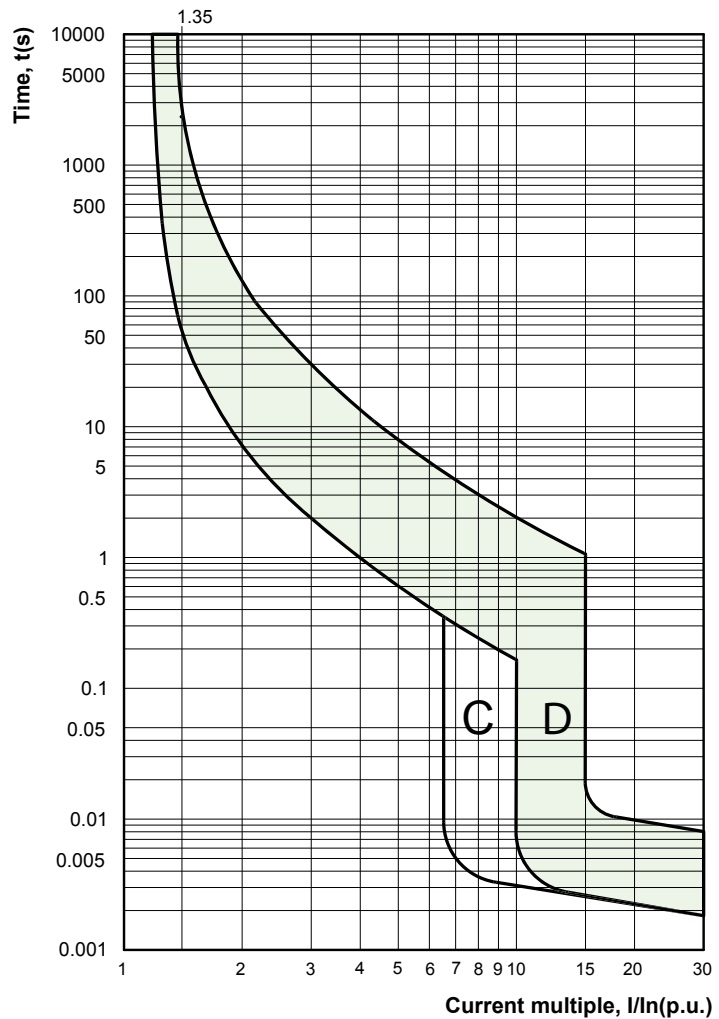
Connection diagram



Wire sizes

| Ampere | Wire Size (AWG) |
|--------|-----------------|
| 1-15A | 14-12AWG |
| 16-20A | 12-10AWG |
| 21-30A | 10-8AWG |
| 31-40A | 8-6AWG |
| 50-60A | 6-4AWG |
| 63A | 4AWG |

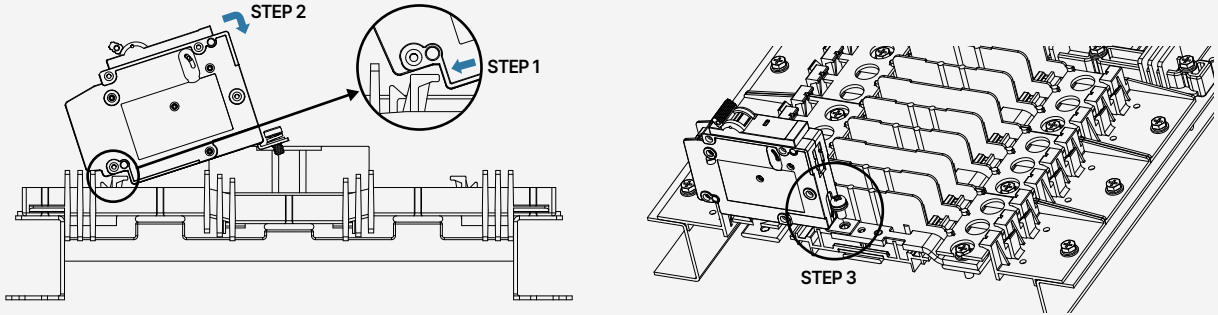
Tripping curves



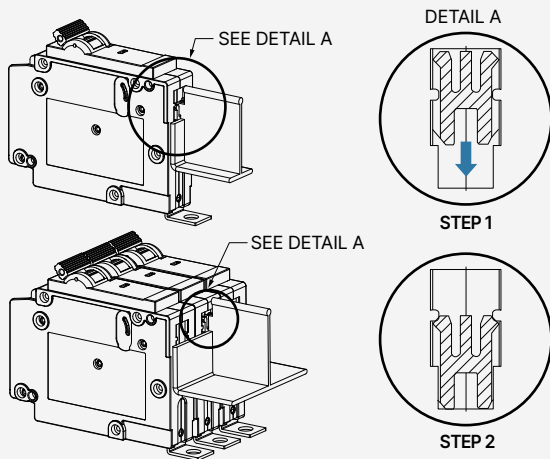
Installation Manual

LA63UB (Bolt-on MCB)

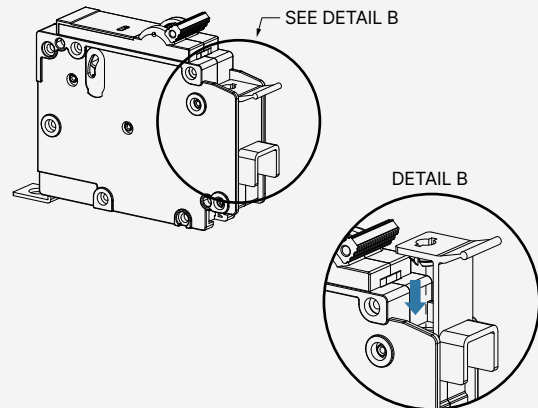
[Figure 1]



[Figure 2]



[Figure 3]



Bolt-on MCB Installation: Refer to Figure 1-3.

- a) Turn the circuit breaker off.
- b) Insert the slot located below the secondary terminal of the circuit breaker onto the mounting rail to secure it.
Align the circuit breaker bolt-on connector hole with the branch bus mounting hole. Insert the screw provided with the MCB through the branch connector hole and tighten to the torque value specified in Table 1. Refer to Figure 1.
- c) Install the load wire and tighten it to the torque value specified in Table 1.
- d) Install the branch CB Load fin onto the MCB. Refer to Figure 2.
- e) Install the Gap Cover onto the MCB. Refer to Figure 3.

[Table 1]

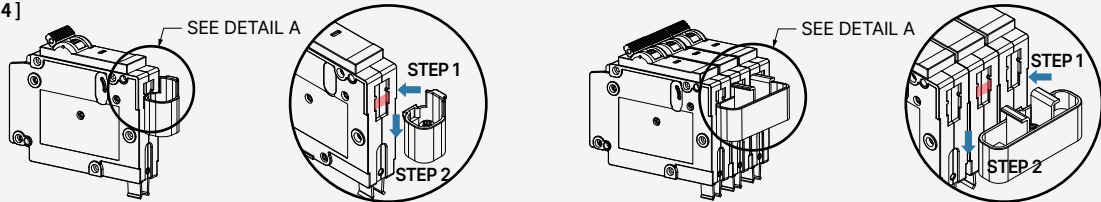
| No. | Connection | Thread Size | Tool Size | Torque | |
|-----|-------------------------------|---|------------|--------|-----|
| | | | | lb-in | N-m |
| ① | Bolt-on MCB ↔ Branch Bus | BOLT, #10-24 UNC | (+) Driver | 30.4 | 3.4 |
| No. | Category | Allowable cable size [AWG or MCM (Kcmil)] | | Torque | |
| | | | | lb-in | N-m |
| ② | MCB 2nd side cable connection | 14-4 | 14-4 | 35 | 3.9 |

*mounting screws for Bolt-on type MCBs are supplied as standard accessories.

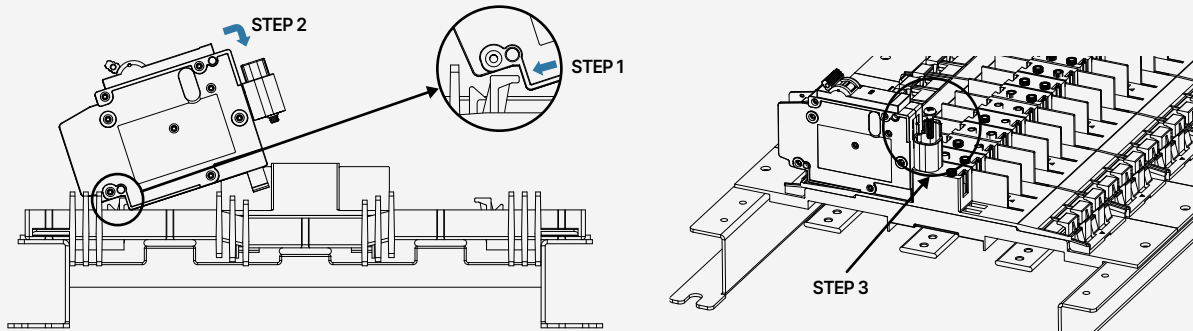
⚠ DANGER Before installing the panelboard, ensure that all power supplying the panelboard is turned off.

LA63UP (Plug-on MCB)

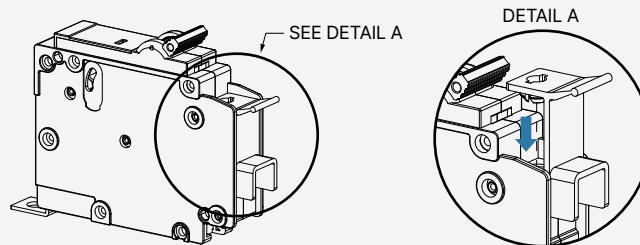
[Figure 4]



[Figure 5]



[Figure 6]



Plug-on MCB Installation: Refer to Figure 4-6.

- a) Turn the circuit breaker off.
- b) For plug-on type MCBs, install the non-energized bolting cover on the MCB before assembling it to the interior. Refer to Figure 4. Tighten the non-energized bolting cover to the torque value specified in Table 2.
- c) Insert the slot located below the secondary terminal of the circuit breaker onto the mounting rail to secure it. Push inward until the plug-on connector fully engages the branch bus. Refer to Figure 5.
- d) Install the load wire and tighten it to the torque value specified in Table 2.
- e) Install the branch CB Load Fin onto the MCB. Refer to Figure 6.

[Table 2]

| No. | Connection | Thread Size | Tool Size | Torque | |
|-----|-------------------------------|---|----------------------|--------|-----|
| | | | | lb-in | N-m |
| ① | Non-energized bolting cover | BOLT, #8-32 UNC | 1/4" Nut, (+) Driver | 21.7 | 2.4 |
| No. | Category | Allowable cable size [AWG or MCM (Kcmil)] | | Torque | |
| | | | | lb-in | N-m |
| ② | MCB 2nd side cable connection | 14-4 | 14-4 | 35 | 3.9 |

*The non-energized bolting cover for Plug-on type MCBs are supplied as standard accessories.

⚠ DANGER Before installing the panelboard, ensure that all power supplying the panelboard is turned off.



Headquarter

127 LS-ro (Hogye-dong) Dongan-gu, Anyang-si, Gyeonggi-Do, 14119, Korea

Seoul Office

LS Yongsan Tower, 92, Hangang-daero, Yongsan-gu, Seoul, 04386, Korea
TEL: 82-2-2034-4916, 4684, 4429

China

LS ELECTRIC (Dalian) Co., Ltd.
+86-411-8730-5872
china.dalian@lselectric.com.cn

LS ELECTRIC (Wuxi) Co., Ltd.
+86-510-6851-6666
china.wuxi@lselectric.com.cn

LS ELECTRIC (Lishui) Co., Ltd.
+86-578-6866-780
china.lishui@lselectric.com.cn

Shanghai Office
+86-21-5237-9977
china@lselectric.com.cn

Beijing Office
+86-10-5095-1631
china@lselectric.com.cn

Guangzhou Office
+86-20-3818-2883
china@lselectric.com.cn

Qingdao Office
+86-532-8501-2065
china@lselectric.com.cn

Chengdu Office
+86-28-8670-3201
china@lselectric.com.cn

Nanjing Office
+86-25-84 67-0005
china@lselectric.com.cn

India

India Office
+91-80-6142-9108
Info_india@ls-electric.com

Indonesia

PT. LS ELECTRIC INDONESIA
+62-21-2933-7614
indonesia@ls-electric.com

Italy

Italy office
+39-030-8081-833
italia@ls-electric.com

Japan

LS ELECTRIC Japan Co., Ltd.
+81-3-6268-8241
japan@ls-electric.com

Tokyo Office
+81-3-6268-8241
tokyo@ls-electric.com

Netherlands

LS ELECTRIC Europe B.V.
+31-20-654-1424
europartner@ls-electric.com

Russia

Moscow Office
+7-499-682-6130
info@lselectric-ru.com

Singapore

Singapore Office
+65-6958-8162
singapore@ls-electric.com

Spain

LS ELECTRIC IBERIA S.L.U.
+34-910-28-02-74
iberia@ls-electric.com

Thailand

Bangkok Office
+66-2-128-0295
thailand@ls-electric.com

Türkiye

LS ELECTRIC Türkiye Co., Ltd.
+90-212-806-1252
turkiye@ls-electric.com

U.A.E

LS ELECTRIC Middle East FZE (Dubai)
+971-4-886-5360
middleeast@ls-electric.com

USA

LS ELECTRIC America Inc.
+1-800-891-2941
sales.us@lselectricamerica.com

LS ENERGY SOLUTIONS LLC
+1-980-221-0654
info@ls-es.com

MCM Engineering II
+1-435-865-0125
sales.us@lselectricamerica.com

America Western Office
+1-949-333-3140
america@ls-electric.com

America Bastrop Campus
+1-800-891-2941 EXT 2
power_support.us@lselectricamerica.com

Vietnam

LS ELECTRIC Vietnam Co., Ltd.
+84-222-2221-110
vietnam@ls-electric.com

Hanoi Office
+84-24-6275-8054
vietnam@ls-electric.com

Ho Chi Minh Office
+84-3823-7890
vietnam@ls-electric.com

Specifications in this catalog are subject to change without notice due to continuous product development and improvement

© 2026. 04 LS ELECTRIC Co., Ltd. All rights reserved. / English (01) 2026. 04 HumanPower

www.ls-electric.com