



**Beyond**


TM

**UL SPD**

UL Surge Protective Device



**LS** ELECTRIC



Designed in compliance with ANSI/UL 1449 5th Edition and CSA C22.2, our SPDs ensure reliable performance for North American applications.

The USP and USPV Series are DIN-rail mounted SPDs, certified as UL Recognized Type 1CA, providing effective protection at the service entrance.

The USPE, USPB, and USPC Series are panel-type SPDs, certified as UL Listed Type 1 and Type 2, providing robust surge protection for commercial and industrial systems.

Combining Type 1 and Type 2 configurations, high discharge capability, and advanced protection against lightning and switching-induced surges, these solutions are designed for reliable performance in demanding electrical environments.

# Beyond X™ UL SPD

UL Surge Protective Device

USP Series



USPV Series



USPE Series



USPB Series



USPC Series

## Contents

Product specifications .....	4
Dimensions .....	8
Ordering information .....	10

# Product specifications

## AC/DIN Type

### USP Series



- Max. cont. operating voltage (MCOV): 150 – 690 V
- Max. discharge current (Imax): up to 50 kA (8/20  $\mu$ s)
- Short-circuit current rating (SCCR): 200 kA
- Built-in thermally protected high-energy MOV technology
- UL Recognized Type 1CA SPD, fully compliant with ANSI/UL 1449 5<sup>th</sup> Edition and CSA C22.2

USP Series		USP150	USP180	USP275	USP320	USP385	USP420	USP550	USP690
Standard		ANSI/UL 1449 5 <sup>th</sup> , IEC/EN 61643-11							
Type		Type 1CA (UL), Class II (IEC)							
Connection Type		Parallel							
Pole		1P, 2P, 3P, 4P, 1P+N, 3P+N						1P, 2P, 3P, 4P	
Nominal voltage (50/60 Hz)	Un [V]	120	120 – 127	220 – 230	240 – 277	240 – 277	277 – 347	Up to 480	Up to 600
Max. cont. operating voltage	MCOV [V]	150	180	275	320	385	420	550	690
Nominal discharge current	In [kA]	20							
Max. discharge current	Imax [kA]	50							40
Voltage protection rating	VPR [kV]	0.7	1	1	1.2	1.5	1.5	1.8	2.5
Temporary overvoltage	TOV	175 V/5 s	228 V/5 s	335 V/5 s	335 V/5 s	403 V/5 s	504 V/5 s	697 V/5 s	872 V/5 s
Residual current	Ipe [mA]	< 0.1							
Short-circuit current rating	SCCR [kA]	200 kA rms							
Failure indicator		Flag indicator Green: normal; Red: failure							
Remote alarm		Isolated Form C AC: 250 V/0.5 A DC: 250 V/0.1 A, 125 V/0.2 A, 75 V/0.5 A							
Enclosure rating		IP20, UL 94 V-0							
Power connection		Single-strand: AWG 2 (35 mm <sup>2</sup> ) Multi-strand: AWG 3 - 4 (25 mm <sup>2</sup> )							
Signal cable (remote alarm)		Max. 1.5 mm <sup>2</sup> (or #16 AWG)							
Operating conditions		Temperature: -40 °F (-40 °C) to 185 °F (85 °C) Relative humidity: 5% - 95% (77 °F/25 °C) Altitude: $\leq$ 6562 ft. (2 km)							
Storage conditions		Temperature: -22 °F (-30 °C) to 113 °F (45 °C), Relative humidity: $\leq$ 75% (77 °F/25 °C)							
Dimensions (W x D x H)	[in. (mm)]	1 pole: 3.54 x 0.71 x 2.52 (90 x 18 x 64)							

## DC/DIN Type

### USPV Series



- Max. permitted DC Voltage (Vpvc): 85 – 1500 V DC
- Max. discharge current (Imax): 50 kA (8/20  $\mu$ s)
- Short-circuit current rating (SCCR) up to 100 kA
- Remote alarm signal optional
- Pluggable design with window fault indication
- UL Recognized Type 1CA SPD fully comply with ANSI/UL 1449 5<sup>th</sup> Edition and CSA C22.2

USPV Series		USPV48	USPV500	USPV600	USPV800	USPV1000	USPV1200	USPV1500
Standard		ANSI/UL 1449 5 <sup>th</sup> , IEC/EN 61643-11						
Type		Type 1CA (UL), Class II (IEC)						
Connection type		Parallel						
Protection mode		"+"/"- to Ground, or "+ to "-"						
Pole		1P, 2P	2P	2P, 3P, 5P	3P, 5P			
Nominal voltage (50/60 Hz)	Un [V]	48	500	600	800	1000	1200	1500
Max. permitted DC voltage	Vpvc [V]	85	560	700	920	1120	1340	1500
Nominal discharge current	In [kA]	20						
Max. discharge current	Imax [kA]	50						
Voltage protection rating	VPR [kV] "+"/"- to PE	0.4	1.5	1.5 (2P) 0.9 (3P, 5P)	1.2	1.5	1.5	1.8
	VPR [kV] "+ to "-"	0.8	3	3 (2P) 1.8 (3P, 5P)	2.5	2.5	3	3
Short-circuit current rating	SCCR [kA]	30	100	50	50	50	50	100
Leakage (quiescent) current	Iq [ $\mu$ A]	$\leq 20$						
Failure indicator		Flag indicator						
		Green: normal; Red: failure						
Remote alarms		Isolated Form C						
		AC: 250 V/0.5 A		DC: 250 V/0.1 A, 125 V/0.2 A, 75 V/0.5 A				
Enclosure rating		IP20, UL 94 V-0						
Power connection		Single-strand: AWG 2 (35 mm <sup>2</sup> )						
		Multi-strand: AWG 3 - 4 (25 mm <sup>2</sup> )						
Signal cable (remote alarm)		Max. 1.5 mm <sup>2</sup> (or #16 AWG)						
Operating conditions		Temperature: -40 °F (-40 °C) to 185 °F (85 °C), Relative humidity: 5% – 95% (77 °F/25 °C), Altitude: $\leq$ 13123 ft. (4 km)						
Storage conditions		Temperature: -30 °C to +45 °C, Relative humidity: $\leq$ 75% (25 °C)						
Dimensions (W x D x H)	[in. (mm)]	1 pole: 3.54 x 0.71 x 2.52 (90 x 18 x 64)						

# Product specifications

## Panel Type

### USPE Series



- Surge current capacity: up to 50 kA (8/20  $\mu$ s)
- Short-circuit current rating (SCCR): 200 kA
- Full modes of protection
- High surge energy handling in a compact size
- UL Listed Type 1 SPD, compliant with ANSI/UL 1449 5<sup>th</sup> Edition and CSA C22.2

### USPB Series



Series	USPE Series	USPB Series
Standard	ANSI/UL 1449 5 <sup>th</sup> Edition, CSA C22.2	ANSI/UL 1449 5 <sup>th</sup> edition, CSA C22.2
Type	Type 1	Type 1
Connection type	Parallel	Parallel
Ports	1	1
Surge capacity per phase [kA]	25 – 50 kA (8/20 $\mu$ s)	50 kA (8/20 $\mu$ s)
Max. cont. operating voltage MCOV [V]	150, 320, 420, 550, 690	150, 320, 420, 550, 690
Nominal discharge current In [kA]	10	10
Short-circuit current rating SCCR [kA]	200	200
Lightning counter current	–	–
Failure pre-test	–	–
Power status indication	Normal: LED On	Normal: Blue LED On
Working status indication	Fail: LED Off	Normal: Blue LED On; Fail: Red LED On*
Audible alarm	–	–
Power connection	#12 AWG, 30 in. (762 mm) length, A (L1)= Black; B (L2)= Red; C (L3)= Blue; N= White; PE= Green	#12 AWG, 30 in. (762 mm) length, A (L1)= Black; B (L2)= Red; C (L3)= Blue; N= White; PE= Green
Signal cable (remote alarm)	–	#16 AWG, 30 in. (762 mm) length, C= Red; NC= Blue; NO= Brown
Operating conditions	Temperature: -40 °F (-40 °C) to 167 °F (75 °C), Relative humidity: 5 - 95% (77 °F/25 °C), Altitude: $\leq$ 9843 ft (3 km)	Temperature: -40 °F (-40 °C) to 167 °F (75 °C), Relative humidity: 5 - 95% (77 °F/25 °C) , Altitude: $\leq$ 9843 ft. (3 km)
Storage conditions	Temperature: 32 °F (0 °C) to 113 °F (45 °C), Relative humidity: $\leq$ 75% (77 °F/25 °C)	Temperature: 32 °F (0 °C) to 113 °F (45 °C), Relative humidity: $\leq$ 75% (77 °F/25 °C)
Dimensions (W x D x H) [in. (mm)]	3.54 x 2.28 x 1.61 (90 x 58 x 41)	6.38 x 3.15 x 2.99 (162 x 80 x 76)
Threaded NPT	–	1/2 in. NPT
Enclosure	Plastic, waterproof	Plastic, waterproof

\* Dual LED indicators

\*\* Single LED indicator



- Surge current capacity: up to 100 kA (8/20  $\mu$ s)
- Short-circuit current rating (SCCR): 200 kA
- Full modes of protection
- Failure indication with optional remote alarm
- UL Listed Type 1 SPD, compliant with ANSI/UL 1449 5<sup>th</sup> Edition and CSA C22.2

### USPC Series



- Surge current capacity: up to 300 kA (8/20  $\mu$ s)
- Short-circuit current rating (SCCR): 200 kA
- Full modes of protection
- Equipped with surge event counter, failure indication, and remote alarm contact
- UL Listed Type 1, Type 2 SPD, compliant with ANSI/UL 1449 5<sup>th</sup> Edition and CSA C22.2

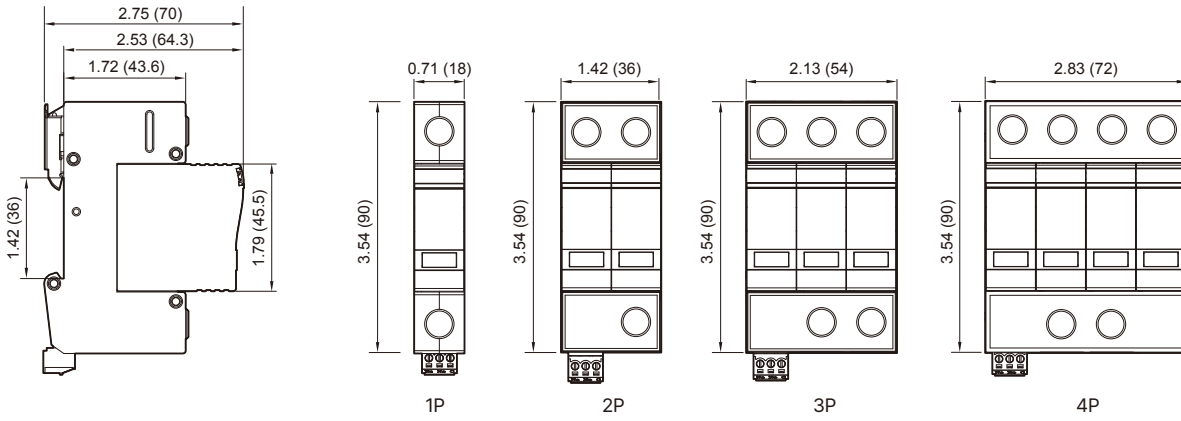
USPB Series	USPC Series
ANSI/UL 1449 5 <sup>th</sup> edition, CSA C22.2	ANSI/UL 1449 5 <sup>th</sup> Edition, CSA C22.2, UL 1283
Type 1	Type 1, Type 2
Parallel	Parallel
1	1
100 kA (8/20 $\mu$ s)	100 – 300 kA (8/20 $\mu$ s)
150, 320, 420, 550	150, 320, 420, 550, 690
20	20
200	200
-	$\geq$ 200 A (with reset button)
-	Press 2S (test button)
Normal: Blue LED On	Normal: Blue LED ON
Normal: Blue LED On; Fail: Blue LED turns Red**	Normal: Blue LED ON; Fail: Blue LED turns red
-	Buzzer inside, beeps when SPD fails
#12 AWG, 30 in. (762 mm) length, A (L1)= Black; B (L2)= Red; C (L3)= Blue; N= White; PE= Green	#10 AWG, 30 in. (762 mm) length, A (L1)= Black; B (L2)= Red; C (L3)= Blue; N= White; PE= Green
#16 AWG, 30 in. (762 mm) length, C= Red; NC= Blue; NO= Brown	#16 AWG, 30 in. (762 mm) length, C= Red; NC= Blue; NO= Brown
Temperature: -40 °F (-40 °C) to +167 °F (+75 °C), Relative humidity: 5 - 95% (77 °F/25 °C), Altitude: $\leq$ 9843 ft (3 km)	Temperature: -40 °F (-40 °C) to +167 °F (+75 °C), Relative humidity: 5 - 95% (77 °F/25 °C), Altitude: $\leq$ 9843 ft (3 km)
Temperature: 32 °F (0 °C) to 113 °F (45 °C), Relative humidity: $\leq$ 75% (77 °F/25 °C)	Temperature: 32 °F (0 °C) to 113 °F (45 °C), Relative humidity: $\leq$ 75% (77 °F/25 °C)
6.38 x 3.15 x 2.99 (162 x 80 x 76)	7.87 x 5.91 x 3.94 (200 x 150 x 100)
1/2 in. NPT	3/4 in. NPT
Plastic, waterproof	Plastic, waterproof

# Dimensions

## AC/DIN Type

### USP series

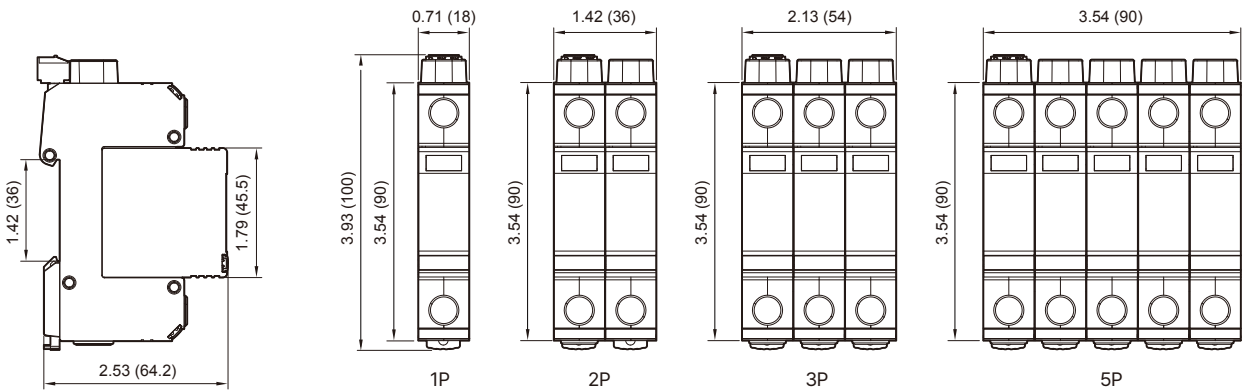
Unit: in. (mm)



## DC/DIN Type

### USPV Series

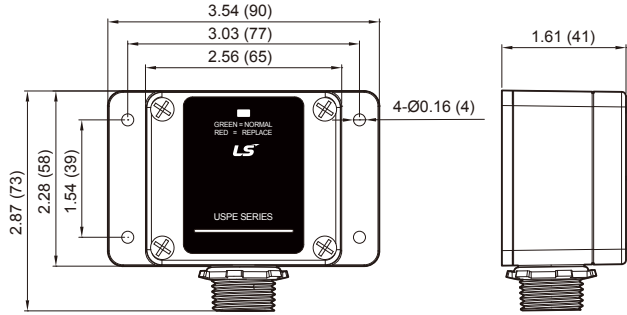
Unit: in. (mm)



# Panel Type

## USPE Series

Unit: in. (mm)

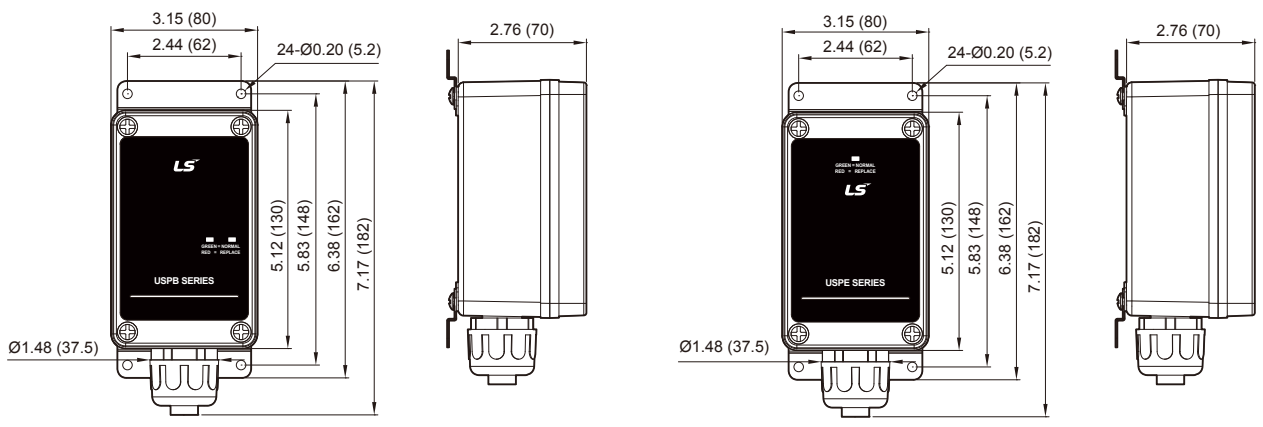


## USPB series

Unit: in. (mm)

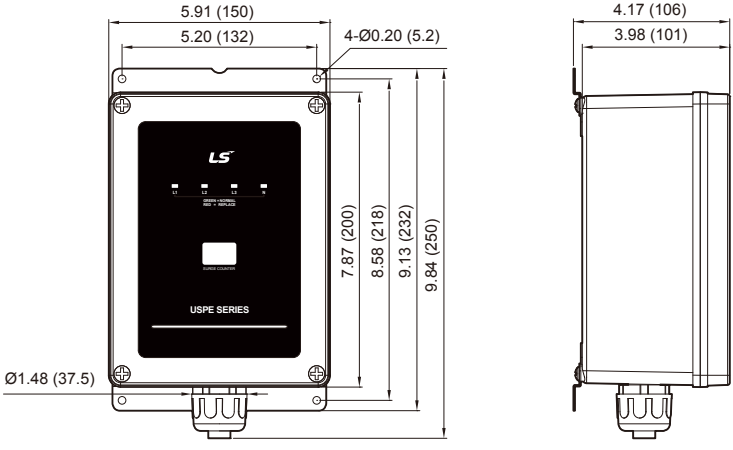
### USPB-50kA

### USPB-100kA



## USPC series

Unit: in. (mm)



# Ordering information

## AC/DIN Type

### USP Series

SPD Series	MCOV	Protection Mode	Option
USP			
	150 150 V	1L Single pole, varistor	AL Remote alarm
	180 180 V	1LNG Single-phase, 2W+G, 1+1, 2 poles	- Without AL
	275 275 V	1LN Single-phase, 2W+G, 2+0, 2 poles	
	320 320 V	2LG Split-phase, 2W+G, 2+0, 2 poles	
	385 385 V	2LN Split-phase, 3W, 3+0, 3 poles	
	420 420 V	2LNG Split-phase, 3W+G, 3+0, 3 poles	
	550 550 V	3LG Three-phase Wye, 3W+G, 3+0, 3 poles	
	690 690 V	3LDG Three-phase Delta, 3W+G, 3+0, 3 poles	
	150T N-PE module with GDT	3LNG Three-phase Wye, 4W+G, 3+1, 4 poles	
	255T N-PE module with GDT	3LHDG Three-phase High-leg Delta, 4W+G, 4+0, 4 poles, (L2: high-leg)	
	240 120/240 V High-leg Delta	4LG Three-phase Wye, 4W+G, 4+0, 4 poles	
	480 240/480 V High-leg Delta		

## DC/DIN Type

### USPV Series

SPD Series	Un	Protection Mode	Option
USPV			
	48 48 V	1 Single mode	AL Remote alarm
	500 500 V	2 Common mode, 2 poles	- Without AL
	600 600 V	3 Common and differential modes, 3 poles	
	800 800 V	5 Common and differential modes for two-MPP system, 5 poles	
	1000 1000 V		
	1200 1200 V		
	1500 1500 V		

## Panel Type

### USP E/B/C Series

USPE	277	Y	C	200	T1	CAL
<b>SPD Series</b>	<b>Voltage</b>	<b>System Configuration</b>		<b>Protection Mode</b>	<b>UL SPD Category</b>	
USPE	120	<b>S</b>	Single-phase, 2W+G	Delete N-G protection mode <sup>1</sup>	<b>T1</b>	UL Type1 SPD
USPB	127	<b>SP</b>	Split-phase, no neutral, 2W+G		<b>T2</b>	UL Type2 SPD <sup>2</sup>
USPC	240	<b>SPN</b>	Split-phase, no ground, 3W			
	277	<b>SPNG</b>	Split-phase, 3W+G			
	347	<b>D</b>	Three-phase Delta, 3W+G			
	480	<b>YN</b>	Three-phase Wye, no ground, 4W			
	600	<b>Y</b>	Three-phase Wye, 4W+G			
		<b>H</b>	Three-phase High-leg Delta, 4W+G			
				<b>Surge Capacity</b>		<b>Additional Function</b>
				25	25 kA (or 50*)/phase	Without additional function <sup>3</sup>
				50	50 kA (or 100*)/phase	
				100	100 kA (or 200*)/phase	<b>AL</b> Remote alarm aux <sup>4</sup>
				150	150 kA (or 300*)/phase	Surge event counter
				200	200 kA (or 400*)/phase	<b>CAL</b> Failure pretest
				250	250 kA (or 500*)/phase	Remote alarm aux <sup>5</sup>
				300	300 kA (or 600*)/phase	

Notes:  
 1. Standard feature (not optional)  
 2. USPC series only  
 3. USPE series only  
 4. USPB series only  
 5. USPC series only

## Power system configurations

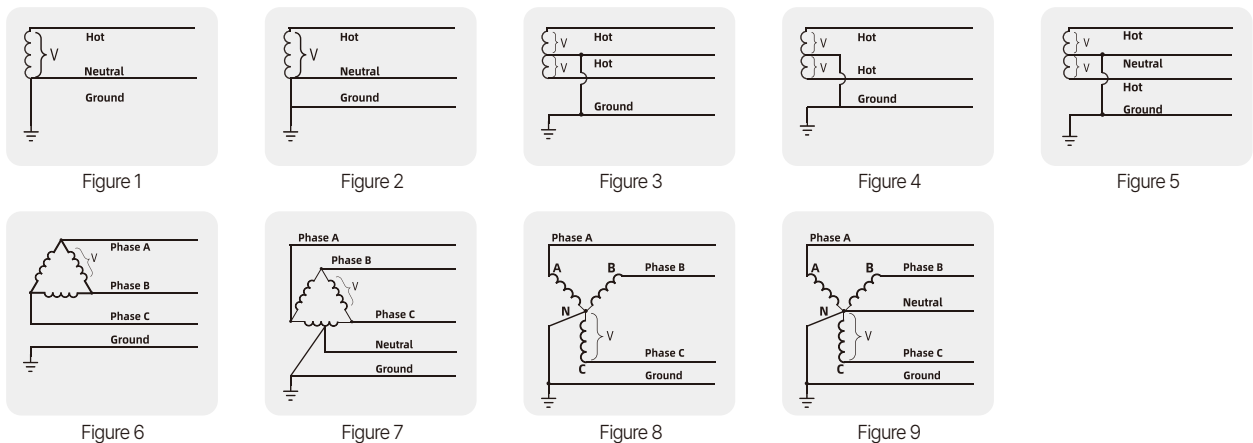


Figure 1	120 V, 127 V, 220 V, 230 V, 240 V, 277 V, 347 V	Single-phase, 2W
Figure 2	120 V, 127 V, 220 V, 230 V, 240 V, 277 V, 347 V	Single-phase, 2W+G
Figure 3	120/240 V, 240/480 V	Split-phase, 3W
Figure 4	120/240 V, 240/480 V	Split-phase, 2W+G
Figure 5	120/240 V, 240/480 V	Split-phase, 3W+G
Figure 6	240 V, 480 V, 600 V	Three-phase Delta, 3W+G
Figure 7	240H/120 V, 480H/240 V	Three-phase High-leg Delta, 4W+G
Figure 8	220Y/127 V, 380Y/220 V, 400Y/230 V, 480Y/277 V, 600Y/347 V	Three-phase Wye, 3W+G
Figure 9	220Y/127 V, 380Y/220 V, 400Y/230 V, 480Y/277 V, 600Y/347 V	Three-phase Wye, 4W+G

# Ordering information

## AC/DIN Type

### USP Series

MCOV [V]	Pole	Protection mode	Optional	Order code	Type code
150	1P	1L		70280001UL	USP-150-1L UL
150	1P	1L	AL	70280002UL	USP-150-1L-AL UL
150T	1P	1L		70280003UL	USP-150T-1L UL
150T	1P	1L	AL	70280004UL	USP-150T-1L-AL UL
150	2P	1LNG		70280005UL	USP-150-1LNG UL
150	2P	1LNG	AL	70280006UL	USP-150-1LNG-AL UL
150	2P	1LN		70280007UL	USP-150-1LN UL
150	2P	1LN	AL	70280008UL	USP-150-1LN-AL UL
150	2P	2LG		70280009UL	USP-150-2LG UL
150	2P	2LG	AL	70280010UL	USP-150-2LG-AL UL
150	2P	2LN		70280011UL	USP-150-2LN UL
150	2P	2LN	AL	70280012UL	USP-150-2LN-AL UL
150	3P	3LG		70280013UL	USP-150-3LG UL
150	3P	3LG	AL	70280014UL	USP-150-3LG-AL UL
150	3P	2LNG		70280015UL	USP-150-2LNG UL
150	3P	2LNG	AL	70280016UL	USP-150-2LNG-AL UL
150	4P	3LNG		70280017UL	USP-150-3LNG UL
150	4P	3LNG	AL	70280018UL	USP-150-3LNG-AL UL
150	4P	4LG		70280019UL	USP-150-4LG UL
150	4P	4LG	AL	70280020UL	USP-150-4LG-AL UL
180	1P	1L		70280021UL	USP-180-1L UL
180	1P	1L	AL	70280022UL	USP-180-1L-AL UL
180	2P	1LNG		70280023UL	USP-180-1LNG UL
180	2P	1LNG	AL	70280024UL	USP-180-1LNG-AL UL
180	2P	1LN		70280025UL	USP-180-1LN UL
180	2P	1LN	AL	70280026UL	USP-180-1LN-AL UL
180	2P	2LG		70280027UL	USP-180-2LG UL
180	2P	2LG	AL	70280028UL	USP-180-2LG-AL UL
180	2P	2LN		70280029UL	USP-180-2LN UL
180	2P	2LN	AL	70280030UL	USP-180-2LN-AL UL
180	3P	3LG		70280031UL	USP-180-3LG UL
180	3P	3LG	AL	70280032UL	USP-180-3LG-AL UL
180	3P	2LNG		70280033UL	USP-180-2LNG UL
180	3P	2LNG	AL	70280034UL	USP-180-2LNG-AL UL
180	4P	3LNG		70280035UL	USP-180-3LNG UL
180	4P	3LNG	AL	70280036UL	USP-180-3LNG-AL UL
180	4P	4LG		70280037UL	USP-180-4LG UL
180	4P	4LG	AL	70280038UL	USP-180-4LG-AL UL
240	4P	3LHDG		70280039UL	USP-240-3LHDG UL
240	4P	3LHDG	AL	70280040UL	USP-240-3LHDG-AL UL

MCOV [V]	Pole	Protection mode	Optional	Order code	Type code
275	1P	1L		70280043UL	USP-275-1L UL
275	1P	1L	AL	70280044UL	USP-275-1L-AL UL
275	2P	1LNG		70280045UL	USP-275-1LNG UL
275	2P	1LNG	AL	70280046UL	USP-275-1LNG-AL UL
275	2P	1LN		70280047UL	USP-275-1LN UL
275	2P	1LN	AL	70280048UL	USP-275-1LN-AL UL
275	3P	3LG		70280049UL	USP-275-3LG UL
275	3P	3LG	AL	70280050UL	USP-275-3LG-AL UL
275	4P	3LNG		70280051UL	USP-275-3LNG UL
275	4P	3LNG	AL	70280052UL	USP-275-3LNG-AL UL
275	4P	4LG		70280053UL	USP-275-4LG UL
275	4P	4LG	AL	70280054UL	USP-275-4LG-AL UL
320	1P	1L		70280055UL	USP-320-1L UL
320	1P	1L	AL	70280056UL	USP-320-1L-AL UL
320	2P	1LNG		70280057UL	USP-320-1LNG UL
320	2P	1LNG	AL	70280058UL	USP-320-1LNG-AL UL
320	2P	1LN		70280059UL	USP-320-1LN UL
320	2P	1LN	AL	70280060UL	USP-320-1LN-AL UL
320	2P	2LG		70280061UL	USP-320-2LG UL
320	2P	2LG	AL	70280062UL	USP-320-2LG-AL UL
320	2P	2LN		70280063UL	USP-320-2LN UL
320	2P	2LN	AL	70280064UL	USP-320-2LN-AL UL
320	3P	3LG		70280065UL	USP-320-3LG UL
320	3P	3LG	AL	70280066UL	USP-320-3LG-AL UL
320	3P	2LNG		70280067UL	USP-320-2LNG UL
320	3P	2LNG	AL	70280068UL	USP-320-2LNG-AL UL
320	3P	3LDG		70280069UL	USP-320-3LDG UL
320	3P	3LDG	AL	70280070UL	USP-320-3LDG-AL UL
320	4P	3LNG		70280071UL	USP-320-3LNG UL
320	4P	3LNG	AL	70280072UL	USP-320-3LNG-AL UL
320	4P	4LG		70280073UL	USP-320-4LG UL
320	4P	4LG	AL	70280074UL	USP-320-4LG-AL UL
385	1P	1L		70280075UL	USP-385-1L UL
385	1P	1L	AL	70280076UL	USP-385-1L-AL UL
385	2P	1LNG		70280077UL	USP-385-1LNG UL
385	2P	1LNG	AL	70280078UL	USP-385-1LNG-AL UL
385	2P	1LN		70280079UL	USP-385-1LN UL
385	2P	1LN	AL	70280080UL	USP-385-1LN-AL UL
385	3P	3LG		70280081UL	USP-385-3LG UL
385	3P	3LG	AL	70280082UL	USP-385-3LG-AL UL

## DC/DIN Type

### USPV Series

MCOV [V]	Pole	Protection mode	Optional	Order code	Type code
385	4P	3LNG		70280083UL	USP-385-3LNG UL
385	4P	3LNG	AL	70280084UL	USP-385-3LNG-AL UL
385	4P	4LG		70280085UL	USP-385-4LG UL
385	4P	4LG	AL	70280086UL	USP-385-4LG-AL UL
420	1P	1L		70280087UL	USP-420-1L UL
420	1P	1L	AL	70280088UL	USP-420-1L-AL UL
420	2P	1LNG		70280089UL	USP-420-1LNG UL
420	2P	1LNG	AL	70280090UL	USP-420-1LNG-AL UL
420	2P	1LN		70280091UL	USP-420-1LN UL
420	2P	1LN	AL	70280092UL	USP-420-1LN-AL UL
420	3P	3LG		70280093UL	USP-420-3LG UL
420	3P	3LG	AL	70280094UL	USP-420-3LG-AL UL
420	4P	3LNG		70280095UL	USP-420-3LNG UL
420	4P	3LNG	AL	70280096UL	USP-420-3LNG-AL UL
420	4P	4LG		70280097UL	USP-420-4LG UL
420	4P	4LG	AL	70280098UL	USP-420-4LG-AL UL
480	4P	3LHDG		70280099UL	USP-480-3LHDG UL
480	4P	3LHDG	AL	70280100UL	USP-480-3LHDG-AL UL
550	1P	1L		70280101UL	USP-550-1L UL
550	1P	1L	AL	70280102UL	USP-550-1L-AL UL
550	2P	1LN		70280103UL	USP-550-1LN UL
550	2P	1LN	AL	70280104UL	USP-550-1LN-AL UL
550	3P	3LG		70280105UL	USP-550-3LG UL
550	3P	3LG	AL	70280106UL	USP-550-3LG-AL UL
550	3P	3LDG		70280107UL	USP-550-3LDG UL
550	3P	3LDG	AL	70280108UL	USP-550-3LDG-AL UL
550	4P	4LG		70280109UL	USP-550-4LG UL
550	4P	4LG	AL	70280110UL	USP-550-4LG-AL UL
690	1P	1L		70280111UL	USP-690-1L UL
690	1P	1L	AL	70280112UL	USP-690-1L-AL UL
690	2P	1LN		70280113UL	USP-690-1LN UL
690	2P	1LN	AL	70280114UL	USP-690-1LN-AL UL
690	3P	3LG		70280115UL	USP-690-3LG UL
690	3P	3LG	AL	70280116UL	USP-690-3LG-AL UL
690	3P	3LDG		70280117UL	USP-690-3LDG UL
690	3P	3LDG	AL	70280118UL	USP-690-3LDG-AL UL
690	4P	4LG		70280119UL	USP-690-4LG UL
690	4P	4LG	AL	70280120UL	USP-690-4LG-AL UL

Un [V]	Vpvd [V]	Pole	Optional	Item Code	Type code
48	85	1P		70290001UL	USPV-48-1 UL
48	85	1P	AL	70290002UL	USPV-48-1-AL UL
48	85	2P		70290003UL	USPV-48-2 UL
48	85	2P	AL	70290004UL	USPV-48-2-AL UL
500	560	1P		70290005UL	USPV-500-1 UL
500	560	1P	AL	70290006UL	USPV-500-1-AL UL
500	560	2P		70290007UL	USPV-500-2 UL
500	560	2P	AL	70290008UL	USPV-500-2-AL UL
600	670	1P		70290009UL	USPV-600-1 UL
600	670	1P	AL	70290010UL	USPV-600-1-AL UL
600	670	2P		70290011UL	USPV-600-2 UL
600	670	2P	AL	70290012UL	USPV-600-2-AL UL
600	700	3P		70290013UL	USPV-600-3 UL
600	700	3P	AL	70290014UL	USPV-600-3-AL UL
600	700	5P		70290015UL	USPV-600-5 UL
600	700	5P	AL	70290016UL	USPV-600-5-AL UL
800	920	3P		70290017UL	USPV-800-3 UL
800	920	3P	AL	70290018UL	USPV-800-3-AL UL
800	920	5P		70290019UL	USPV-800-5 UL
800	920	5P	AL	70290020UL	USPV-800-5-AL UL
1000	1120	3P		70290021UL	USPV-1000-3 UL
1000	1120	3P	AL	70290022UL	USPV-1000-3-AL UL
1000	1120	5P		70290023UL	USPV-1000-5 UL
1000	1120	5P	AL	70290024UL	USPV-1000-5-AL UL
1200	1340	3P		70290025UL	USPV-1200-3 UL
1200	1340	3P	AL	70290026UL	USPV-1200-3-AL UL
1200	1340	5P		70290027UL	USPV-1200-5 UL
1200	1340	5P	AL	70290028UL	USPV-1200-5-AL UL
1500	1500	3P		70290029UL	USPV-1500-3 UL
1500	1500	3P	AL	70290030UL	USPV-1500-3-AL UL
1500	1500	5P		70290031UL	USPV-1500-5 UL
1500	1500	5P	AL	70290032UL	USPV-1500-5-AL UL

# Ordering information

## Panel Type

### USPE Series

Voltage (Un)	Configuration	Without N-G protection	Surge capacity per phase [kA]	Type	Order code	Type code
120	Split-phase, 2W+G		25	T1	70250001UL	USPE-120SP25-T1 UL
120	Split-phase, 3W		25	T1	70250003UL	USPE-120SPN25-T1 UL
120	Split-phase, 3W+G		25	T1	70250009UL	USPE-120SPNG25-T1 UL
120	Three-phase Wye, 4W		25	T1	70250019UL	USPE-120YN25-T1 UL
120	Three-phase Wye, 4W+G	●	25	T1	70250014UL	USPE-120YC25-T1 UL
127	Single-phase, 2W+G		25	T1	70250024UL	USPE-127S25-T1 UL
127	Three-phase Wye, 4W		25	T1	70250020UL	USPE-127YN25-T1 UL
127	Three-phase Wye, 4W+G	●	25	T1	70250015UL	USPE-127YC25-T1 UL
240	Split-phase, 2W+G		25	T1	70250005UL	USPE-240SP25-T1 UL
240	Split-phase, 3W		25	T1	70250007UL	USPE-240SPN25-T1 UL
240	Split-phase, 3W+G		25	T1	70250010UL	USPE-240SPNG25-T1 UL
240	Three-phase Delta, 3W+G		25	T1	70250011UL	USPE-240D25-T1 UL
240	Three-phase Wye, 4W		25	T1	70250021UL	USPE-240YN25-T1 UL
240	Three-phase Wye, 4W+G	●	25	T1	70250016UL	USPE-240YC25-T1 UL
277	Single-phase, 2W+G		25	T1	70250026UL	USPE-277S25-T1 UL
277	Three-phase Wye, 4W		25	T1	70250022UL	USPE-277YN25-T1 UL
277	Three-phase Wye, 4W+G	●	25	T1	70250017UL	USPE-277YC25-T1 UL
347	Three-phase Wye, 4W		25	T1	70250023UL	USPE-347YN25-T1 UL
347	Three-phase Wye, 4W+G	●	25	T1	70250018UL	USPE-347YC25-T1 UL
347	Single-phase, 2W+G		25	T1	70250028UL	USPE-347S25-T1 UL
480	Three-phase Delta, 3W+G		25	T1	70250012UL	USPE-480D25-T1 UL
600	Three-phase Delta, 3W+G		25	T1	70250013UL	USPE-600D25-T1 UL
120	Split-phase, 2W+G		50	T1	70250002UL	USPE-120SP50-T1 UL
120	Split-phase, 3W		50	T1	70250004UL	USPE-120SPN50-T1 UL
127	Single-phase, 2W+G		50	T1	70250025UL	USPE-127S50-T1 UL
240	Split-phase, 2W+G		50	T1	70250006UL	USPE-240SP50-T1 UL
240	Split-phase, 3W		50	T1	70250008UL	USPE-240SPN50-T1 UL
277	Single-phase, 2W+G		50	T1	70250027UL	USPE-277S50-T1 UL
347	Single-phase, 2W+G		50	T1	70250029UL	USPE-347S50-T1 UL

## USPB Series

Voltage (Un)	Configuration	Without N-G protection	Surge capacity per phase [kA]	Type	Order code	Type code
120	Single-phase, 2W+G		50	T1	70260022UL	USPB-120S50-T1-AL UL
120	Split-phase, 2W+G		50	T1	70260001UL	USPB-120SP50-T1-AL UL
120	Split-phase, 2W+G	●	50	T1	70260002UL	USPB-120SPC50-T1-AL UL
120	Three-phase Wye, 4W+G	●	50	T1	70260005UL	USPB-120Y50-T1-AL UL
120	Three-phase Wye, 4W+G		50	T1	70260006UL	USPB-120YC50-T1-AL UL
120	Three-phase High-leg Delta, 4W+G		50	T1	70260015UL	USPB-120H50-T1-AL UL
120	Three-phase High-leg Delta, 4W+G	●	50	T1	70260016UL	USPB-120HC50-T1-AL UL
127	Single-phase, 2W+G		50	T1	70260023UL	USPB-127S50-T1-AL UL
127	Three-phase Wye, 4W+G		50	T1	70260007UL	USPB-127Y50-T1-AL UL
127	Three-phase Wye, 4W+G	●	50	T1	70260008UL	USPB-127YC50-T1-AL UL
240	Single-phase, 2W+G		50	T1	70260024UL	USPB-240S50-T1-AL UL
240	Split-phase, 2W+G		50	T1	70260003UL	USPB-240SP50-T1-AL UL
240	Split-phase, 2W+G	●	50	T1	70260004UL	USPB-240SPC50-T1-AL UL
240	Three-phase Delta, 3W+G		50	T1	70260019UL	USPB-240D50-T1-AL UL
240	Three-phase Wye, 4W+G		50	T1	70260009UL	USPB-240Y50-T1-AL UL
240	Three-phase Wye, 4W+G	●	50	T1	70260010UL	USPB-240YC50-T1-AL UL
240	Three-phase High-leg Delta, 4W+G		50	T1	70260017UL	USPB-240H50-T1-AL UL
240	Three-phase High-leg Delta, 4W+G	●	50	T1	70260018UL	USPB-240HC50-T1-AL UL
277	Single-phase, 2W+G		50	T1	70260025UL	USPB-277S50-T1-AL UL
277	Three-phase Wye, 4W+G		50	T1	70260011UL	USPB-277Y50-T1-AL UL
277	Three-phase Wye, 4W+G	●	50	T1	70260012UL	USPB-277YC50-T1-AL UL
347	Single-phase, 2W+G		50	T1	70260026UL	USPB-347S50-T1-AL UL
347	Three-phase Wye, 4W+G		50	T1	70260013UL	USPB-347Y50-T1-AL UL
347	Three-phase Wye, 4W+G	●	50	T1	70260014UL	USPB-347YC50-T1-AL UL
480	Three-phase Delta, 3W+G		50	T1	70260020UL	USPB-480D50-T1-AL UL
600	Three-phase Delta, 3W+G		50	T1	70260021UL	USPB-600D50-T1-AL UL
120	Single-phase, 2W+G		100	T1	70260047UL	USPB-120S100-T1-AL UL
120	Split-phase, 2W+G		100	T1	70260027UL	USPB-120SP100-T1-AL UL
120	Split-phase, 2W+G	●	100	T1	70260028UL	USPB-120SPC100-T1-AL UL
120	Three-phase Wye, 4W+G		100	T1	70260031UL	USPB-120Y100-T1-AL UL
120	Three-phase Wye, 4W+G	●	100	T1	70260032UL	USPB-120YC100-T1-AL UL
120	Three-phase High-leg Delta, 4W+G		100	T1	70260041UL	USPB-120H100-T1-AL UL
120	Three-phase High-leg Delta, 4W+G	●	100	T1	70260042UL	USPB-120HC100-T1-AL UL
127	Single-phase, 2W+G		100	T1	70260048UL	USPB-127S100-T1-AL UL
127	Three-phase Wye, 4W+G		100	T1	70260033UL	USPB-127Y100-T1-AL UL
127	Three-phase Wye, 4W+G	●	100	T1	70260034UL	USPB-127YC100-T1-AL UL
240	Single-phase, 2W+G		100	T1	70260049UL	USPB-240S100-T1-AL UL
240	Split-phase, 2W+G		100	T1	70260029UL	USPB-240SP100-T1-AL UL
240	Split-phase, 2W+G	●	100	T1	70260030UL	USPB-240SPC100-T1-AL UL
240	Three-phase Delta, 3W+G		100	T1	70260045UL	USPB-240D100-T1-AL UL
240	Three-phase Wye, 4W+G		100	T1	70260035UL	USPB-240Y100-T1-AL UL
240	Three-phase Wye, 4W+G	●	100	T1	70260036UL	USPB-240YC100-T1-AL UL
240	Three-phase High-leg Delta, 4W+G		100	T1	70260043UL	USPB-240H100-T1-AL UL
240	Three-phase High-leg Delta, 4W+G	●	100	T1	70260044UL	USPB-240HC100-T1-AL UL
277	Single-phase, 2W+G		100	T1	70260050UL	USPB-277S100-T1-AL UL
277	Three-phase Wye, 4W+G		100	T1	70260037UL	USPB-277Y100-T1-AL UL
277	Three-phase Wye, 4W+G	●	100	T1	70260038UL	USPB-277YC100-T1-AL UL
347	Single-phase, 2W+G		100	T1	70260051UL	USPB-347S100-T1-AL UL
347	Three-phase Wye, 4W+G		100	T1	70260039UL	USPB-347Y100-T1-AL UL
347	Three-phase Wye, 4W+G	●	100	T1	70260040UL	USPB-347YC100-T1-AL UL
480	Three-phase Delta, 3W+G		100	T1	70260046UL	USPB-480D100-T1-AL UL

# Ordering information

## Panel Type

### USPC Series

Voltage (Un)	Configuration	Without N-G protection	Surge capacity per phase [kA]	Type	Order code	Type code
120	Single-phase, 2W+G		100	T1	70270106UL	USPC-120S100-T1-CAL UL
120	Single-phase, 2W+G		150	T1	70270107UL	USPC-120S150-T1-CAL UL
120	Single-phase, 2W+G		200	T1	70270108UL	USPC-120S200-T1-CAL UL
120	Single-phase, 2W+G		250	T1	70270109UL	USPC-120S250-T1-CAL UL
120	Single-phase, 2W+G		300	T1	70270110UL	USPC-120S300-T1-CAL UL
120	Split-phase, 2W+G		100	T1	70270001UL	USPC-120SP100-T1-CAL UL
120	Split-phase, 2W+G		150	T1	70270002UL	USPC-120SP150-T1-CAL UL
120	Split-phase, 2W+G		200	T1	70270003UL	USPC-120SP200-T1-CAL UL
120	Split-phase, 2W+G		250	T1	70270004UL	USPC-120SP250-T1-CAL UL
120	Split-phase, 2W+G		300	T1	70270005UL	USPC-120SP300-T1-CAL UL
120	Split-phase, 2W+G	●	100	T1	70270006UL	USPC-120SPC100-T1-CAL UL
120	Split-phase, 2W+G	●	150	T1	70270007UL	USPC-120SPC150-T1-CAL UL
120	Split-phase, 2W+G	●	200	T1	70270008UL	USPC-120SPC200-T1-CAL UL
120	Split-phase, 2W+G	●	250	T1	70270009UL	USPC-120SPC250-T1-CAL UL
120	Split-phase, 2W+G	●	300	T1	70270010UL	USPC-120SPC300-T1-CAL UL
120	Three-phase Wye, 4W+G		100	T1	70270031UL	USPC-120Y100-T1-CAL UL
120	Three-phase Wye, 4W+G		150	T1	70270032UL	USPC-120Y150-T1-CAL UL
120	Three-phase Wye, 4W+G		200	T1	70270033UL	USPC-120Y200-T1-CAL UL
120	Three-phase Wye, 4W+G		250	T1	70270034UL	USPC-120Y250-T1-CAL UL
120	Three-phase Wye, 4W+G		300	T1	70270035UL	USPC-120Y300-T1-CAL UL
120	Three-phase Wye, 4W+G	●	100	T1	70270036UL	USPC-120YC100-T1-CAL UL
120	Three-phase Wye, 4W+G	●	150	T1	70270037UL	USPC-120YC150-T1-CAL UL
120	Three-phase Wye, 4W+G	●	200	T1	70270038UL	USPC-120YC200-T1-CAL UL
120	Three-phase Wye, 4W+G	●	250	T1	70270039UL	USPC-120YC250-T1-CAL UL
120	Three-phase Wye, 4W+G	●	300	T1	70270040UL	USPC-120YC300-T1-CAL UL
120	Three-phase High-leg Delta, 4W+G		100	T1	70270071UL	USPC-120H100-T1-CAL UL
120	Three-phase High-leg Delta, 4W+G		150	T1	70270072UL	USPC-120H150-T1-CAL UL
120	Three-phase High-leg Delta, 4W+G		200	T1	70270073UL	USPC-120H200-T1-CAL UL
120	Three-phase High-leg Delta, 4W+G		250	T1	70270074UL	USPC-120H250-T1-CAL UL
120	Three-phase High-leg Delta, 4W+G		300	T1	70270075UL	USPC-120H300-T1-CAL UL
120	Three-phase High-leg Delta, 4W+G	●	100	T1	70270076UL	USPC-120HC100-T1-CAL UL
120	Three-phase High-leg Delta, 4W+G	●	150	T1	70270077UL	USPC-120HC150-T1-CAL UL
120	Three-phase High-leg Delta, 4W+G	●	200	T1	70270078UL	USPC-120HC200-T1-CAL UL
120	Three-phase High-leg Delta, 4W+G	●	250	T1	70270079UL	USPC-120HC250-T1-CAL UL
120	Three-phase High-leg Delta, 4W+G	●	300	T1	70270080UL	USPC-120HC300-T1-CAL UL
127	Single-phase, 2W+G		100	T1	70270111UL	USPC-127S100-T1-CAL UL
127	Single-phase, 2W+G		150	T1	70270112UL	USPC-127S150-T1-CAL UL
127	Single-phase, 2W+G		200	T1	70270113UL	USPC-127S200-T1-CAL UL
127	Single-phase, 2W+G		250	T1	70270114UL	USPC-127S250-T1-CAL UL

Voltage (Un)	Configuration	Without N-G protection	Surge capacity per phase [kA]	Type	Order code	Type code
127	Single-phase, 2W+G		300	T1	70270115UL	USPC-127S300-T1-CAL UL
127	Three-phase Wye, 4W+G		100	T1	70270021UL	USPC-127Y100-T1-CAL UL
127	Three-phase Wye, 4W+G		150	T1	70270022UL	USPC-127Y150-T1-CAL UL
127	Three-phase Wye, 4W+G		200	T1	70270023UL	USPC-127Y200-T1-CAL UL
127	Three-phase Wye, 4W+G		250	T1	70270024UL	USPC-127Y250-T1-CAL UL
127	Three-phase Wye, 4W+G		300	T1	70270025UL	USPC-127Y300-T1-CAL UL
127	Three-phase Wye, 4W+G	●	100	T1	70270026UL	USPC-127YC100-T1-CAL UL
127	Three-phase Wye, 4W+G	●	150	T1	70270027UL	USPC-127YC150-T1-CAL UL
127	Three-phase Wye, 4W+G	●	200	T1	70270028UL	USPC-127YC200-T1-CAL UL
127	Three-phase Wye, 4W+G	●	250	T1	70270029UL	USPC-127YC250-T1-CAL UL
127	Three-phase Wye, 4W+G	●	300	T1	70270030UL	USPC-127YC300-T1-CAL UL
240	Single-phase, 2W+G		100	T1	70270116UL	USPC-240S100-T1-CAL UL
240	Single-phase, 2W+G		150	T1	70270117UL	USPC-240S150-T1-CAL UL
240	Single-phase, 2W+G		200	T1	70270118UL	USPC-240S200-T1-CAL UL
240	Single-phase, 2W+G		250	T1	70270119UL	USPC-240S250-T1-CAL UL
240	Single-phase, 2W+G		300	T1	70270120UL	USPC-240S300-T1-CAL UL
240	Split-phase, 2W+G		100	T1	70270011UL	USPC-240SP100-T1-CAL UL
240	Split-phase, 2W+G		150	T1	70270012UL	USPC-240SP150-T1-CAL UL
240	Split-phase, 2W+G		200	T1	70270013UL	USPC-240SP200-T1-CAL UL
240	Split-phase, 2W+G		250	T1	70270014UL	USPC-240SP250-T1-CAL UL
240	Split-phase, 2W+G		300	T1	70270015UL	USPC-240SP300-T1-CAL UL
240	Split-phase, 2W+G	●	100	T1	70270016UL	USPC-240SPC100-T1-CAL UL
240	Split-phase, 2W+G	●	150	T1	70270017UL	USPC-240SPC150-T1-CAL UL
240	Split-phase, 2W+G	●	200	T1	70270018UL	USPC-240SPC200-T1-CAL UL
240	Split-phase, 2W+G	●	250	T1	70270019UL	USPC-240SPC250-T1-CAL UL
240	Split-phase, 2W+G	●	300	T1	70270020UL	USPC-240SPC300-T1-CAL UL
240	Three-phase Delta, 3W+G		100	T1	70270091UL	USPC-240D100-T1-CAL UL
240	Three-phase Delta, 3W+G		150	T1	70270092UL	USPC-240D150-T1-CAL UL
240	Three-phase Delta, 3W+G		200	T1	70270093UL	USPC-240D200-T1-CAL UL
240	Three-phase Delta, 3W+G		250	T1	70270094UL	USPC-240D250-T1-CAL UL
240	Three-phase Delta, 3W+G		300	T1	70270095UL	USPC-240D300-T1-CAL UL
240	Three-phase Wye, 4W+G		100	T1	70270041UL	USPC-240Y100-T1-CAL UL
240	Three-phase Wye, 4W+G		150	T1	70270042UL	USPC-240Y150-T1-CAL UL
240	Three-phase Wye, 4W+G		200	T1	70270043UL	USPC-240Y200-T1-CAL UL
240	Three-phase Wye, 4W+G		250	T1	70270044UL	USPC-240Y250-T1-CAL UL
240	Three-phase Wye, 4W+G		300	T1	70270045UL	USPC-240Y300-T1-CAL UL
240	Three-phase Wye, 4W+G	●	100	T1	70270046UL	USPC-240YC100-T1-CAL UL
240	Three-phase Wye, 4W+G	●	150	T1	70270047UL	USPC-240YC150-T1-CAL UL
240	Three-phase Wye, 4W+G	●	200	T1	70270048UL	USPC-240YC200-T1-CAL UL

# Ordering information

## Panel Type

### USPC Series

Voltage (Un)	Configuration	Without N-G protection	Surge capacity per phase [kA]	Type	Order code	Type code
240	Three-phase Wye, 4W+G	●	250	T1	70270049UL	USPC-240YC250-T1-CAL UL
240	Three-phase Wye, 4W+G	●	300	T1	70270050UL	USPC-240YC300-T1-CAL UL
240	Three-phase High-leg Delta, 4W+G		100	T1	70270081UL	USPC-240H100-T1-CAL UL
240	Three-phase High-leg Delta, 4W+G		150	T1	70270082UL	USPC-240H150-T1-CAL UL
240	Three-phase High-leg Delta, 4W+G		200	T1	70270083UL	USPC-240H200-T1-CAL UL
240	Three-phase High-leg Delta, 4W+G		250	T1	70270084UL	USPC-240H250-T1-CAL UL
240	Three-phase High-leg Delta, 4W+G		300	T1	70270085UL	USPC-240H300-T1-CAL UL
240	Three-phase High-leg Delta, 4W+G	●	100	T1	70270086UL	USPC-240HC100-T1-CAL UL
240	Three-phase High-leg Delta, 4W+G	●	150	T1	70270087UL	USPC-240HC150-T1-CAL UL
240	Three-phase High-leg Delta, 4W+G	●	200	T1	70270088UL	USPC-240HC200-T1-CAL UL
240	Three-phase High-leg Delta, 4W+G	●	250	T1	70270089UL	USPC-240HC250-T1-CAL UL
240	Three-phase High-leg Delta, 4W+G	●	300	T1	70270090UL	USPC-240HC300-T1-CAL UL
277	Single-phase, 2W+G		100	T1	70270121UL	USPC-277S100-T1-CAL UL
277	Single-phase, 2W+G		150	T1	70270122UL	USPC-277S150-T1-CAL UL
277	Single-phase, 2W+G		200	T1	70270123UL	USPC-277S200-T1-CAL UL
277	Single-phase, 2W+G		250	T1	70270124UL	USPC-277S250-T1-CAL UL
277	Single-phase, 2W+G		300	T1	70270125UL	USPC-277S300-T1-CAL UL
277	Three-phase Wye, 4W+G		100	T1	70270051UL	USPC-277Y100-T1-CAL UL
277	Three-phase Wye, 4W+G		150	T1	70270052UL	USPC-277Y150-T1-CAL UL
277	Three-phase Wye, 4W+G		200	T1	70270053UL	USPC-277Y200-T1-CAL UL
277	Three-phase Wye, 4W+G		250	T1	70270054UL	USPC-277Y250-T1-CAL UL
277	Three-phase Wye, 4W+G		300	T1	70270055UL	USPC-277Y300-T1-CAL UL
277	Three-phase Wye, 4W+G	●	100	T1	70270056UL	USPC-277YC100-T1-CAL UL
277	Three-phase Wye, 4W+G	●	150	T1	70270057UL	USPC-277YC150-T1-CAL UL
277	Three-phase Wye, 4W+G	●	200	T1	70270058UL	USPC-277YC200-T1-CAL UL
277	Three-phase Wye, 4W+G	●	250	T1	70270059UL	USPC-277YC250-T1-CAL UL
277	Three-phase Wye, 4W+G	●	300	T1	70270060UL	USPC-277YC300-T1-CAL UL
347	Single-phase, 2W+G		100	T1	70270126UL	USPC-347S100-T1-CAL UL
347	Single-phase, 2W+G		150	T1	70270127UL	USPC-347S150-T1-CAL UL
347	Single-phase, 2W+G		200	T1	70270128UL	USPC-347S200-T1-CAL UL
347	Single-phase, 2W+G		250	T1	70270129UL	USPC-347S250-T1-CAL UL
347	Single-phase, 2W+G		300	T1	70270130UL	USPC-347S300-T1-CAL UL
347	Three-phase Wye, 4W+G		100	T1	70270061UL	USPC-347Y100-T1-CAL UL
347	Three-phase Wye, 4W+G		150	T1	70270062UL	USPC-347Y150-T1-CAL UL
347	Three-phase Wye, 4W+G		200	T1	70270063UL	USPC-347Y200-T1-CAL UL
347	Three-phase Wye, 4W+G		250	T1	70270064UL	USPC-347Y250-T1-CAL UL
347	Three-phase Wye, 4W+G	●	300	T1	70270065UL	USPC-347Y300-T1-CAL UL
347	Three-phase Wye, 4W+G	●	100	T1	70270066UL	USPC-347YC100-T1-CAL UL
347	Three-phase Wye, 4W+G	●	150	T1	70270067UL	USPC-347YC150-T1-CAL UL

Voltage (Un)	Configuration	Without N-G protection	Surge capacity per phase [kA]	Type	Order code	Type code
347	Three-phase Wye, 4W+G	●	200	T1	70270068UL	USPC-347YC200-T1-CAL UL
347	Three-phase Wye, 4W+G	●	250	T1	70270069UL	USPC-347YC250-T1-CAL UL
347	Three-phase Wye, 4W+G		300	T1	70270070UL	USPC-347YC300-T1-CAL UL
480	Three-phase Delta, 3W+G		100	T1	70270096UL	USPC-480D100-T1-CAL UL
480	Three-phase Delta, 3W+G		150	T1	70270097UL	USPC-480D150-T1-CAL UL
480	Three-phase Delta, 3W+G		200	T1	70270098UL	USPC-480D200-T1-CAL UL
480	Three-phase Delta, 3W+G		250	T1	70270099UL	USPC-480D250-T1-CAL UL
480	Three-phase Delta, 3W+G		300	T1	70270100UL	USPC-480D300-T1-CAL UL
600	Three-phase Delta, 3W+G		100	T1	70270101UL	USPC-600D100-T1-CAL UL
600	Three-phase Delta, 3W+G		150	T1	70270102UL	USPC-600D150-T1-CAL UL
600	Three-phase Delta, 3W+G		200	T1	70270103UL	USPC-600D200-T1-CAL UL
600	Three-phase Delta, 3W+G		250	T1	70270104UL	USPC-600D250-T1-CAL UL
600	Three-phase Delta, 3W+G		300	T1	70270105UL	USPC-600D300-T1-CAL UL
120	Single-phase, 2W+G		100	T2	70270236UL	USPC-120S100-T2-CAL UL
120	Single-phase, 2W+G		150	T2	70270237UL	USPC-120S150-T2-CAL UL
120	Single-phase, 2W+G		200	T2	70270238UL	USPC-120S200-T2-CAL UL
120	Single-phase, 2W+G		250	T2	70270239UL	USPC-120S250-T2-CAL UL
120	Single-phase, 2W+G		300	T2	70270240UL	USPC-120S300-T2-CAL UL
120	Split-phase, 2W+G		100	T2	70270131UL	USPC-120SP100-T2-CAL UL
120	Split-phase, 2W+G		150	T2	70270132UL	USPC-120SP150-T2-CAL UL
120	Split-phase, 2W+G		200	T2	70270133UL	USPC-120SP200-T2-CAL UL
120	Split-phase, 2W+G		250	T2	70270134UL	USPC-120SP250-T2-CAL UL
120	Split-phase, 2W+G		300	T2	70270135UL	USPC-120SP300-T2-CAL UL
120	Split-phase, 2W+G	●	100	T2	70270136UL	USPC-120SPC100-T2-CAL UL
120	Split-phase, 2W+G	●	150	T2	70270137UL	USPC-120SPC150-T2-CAL UL
120	Split-phase, 2W+G	●	200	T2	70270138UL	USPC-120SPC200-T2-CAL UL
120	Split-phase, 2W+G	●	250	T2	70270139UL	USPC-120SPC250-T2-CAL UL
120	Split-phase, 2W+G	●	300	T2	70270140UL	USPC-120SPC300-T2-CAL UL
120	Three-phase Wye, 4W+G		100	T2	70270161UL	USPC-120Y100-T2-CAL UL
120	Three-phase Wye, 4W+G		150	T2	70270162UL	USPC-120Y150-T2-CAL UL
120	Three-phase Wye, 4W+G		200	T2	70270163UL	USPC-120Y200-T2-CAL UL
120	Three-phase Wye, 4W+G		250	T2	70270164UL	USPC-120Y250-T2-CAL UL
120	Three-phase Wye, 4W+G		300	T2	70270165UL	USPC-120Y300-T2-CAL UL
120	Three-phase Wye, 4W+G	●	100	T2	70270166UL	USPC-120YC100-T2-CAL UL
120	Three-phase Wye, 4W+G	●	150	T2	70270167UL	USPC-120YC150-T2-CAL UL
120	Three-phase Wye, 4W+G	●	200	T2	70270168UL	USPC-120YC200-T2-CAL UL
120	Three-phase Wye, 4W+G	●	250	T2	70270169UL	USPC-120YC250-T2-CAL UL
120	Three-phase Wye, 4W+G	●	300	T2	70270170UL	USPC-120YC300-T2-CAL UL
120	Three-phase High-leg Delta, 4W+G		100	T2	70270201UL	USPC-120H100-T2-CAL UL

# Ordering information

## Panel Type

### USPC Series

Voltage (Un)	Configuration	Without N-G protection	Surge capacity per phase [kA]	Type	Order code	Type code
120	Three-phase High-leg Delta, 4W+G		150	T2	70270202UL	USPC-120H150-T2-CAL UL
120	Three-phase High-leg Delta, 4W+G		200	T2	70270203UL	USPC-120H200-T2-CAL UL
120	Three-phase High-leg Delta, 4W+G		250	T2	70270204UL	USPC-120H250-T2-CAL UL
120	Three-phase High-leg Delta, 4W+G		300	T2	70270205UL	USPC-120H300-T2-CAL UL
120	Three-phase High-leg Delta, 4W+G	●	100	T2	70270206UL	USPC-120HC100-T2-CAL UL
120	Three-phase High-leg Delta, 4W+G	●	150	T2	70270207UL	USPC-120HC150-T2-CAL UL
120	Three-phase High-leg Delta, 4W+G	●	200	T2	70270208UL	USPC-120HC200-T2-CAL UL
120	Three-phase High-leg Delta, 4W+G	●	250	T2	70270209UL	USPC-120HC250-T2-CAL UL
120	Three-phase High-leg Delta, 4W+G	●	300	T2	70270210UL	USPC-120HC300-T2-CAL UL
127	Single-phase, 2W+G		100	T2	70270241UL	USPC-127S100-T2-CAL UL
127	Single-phase, 2W+G		150	T2	70270242UL	USPC-127S150-T2-CAL UL
127	Single-phase, 2W+G		200	T2	70270243UL	USPC-127S200-T2-CAL UL
127	Single-phase, 2W+G		250	T2	70270244UL	USPC-127S250-T2-CAL UL
127	Single-phase, 2W+G		300	T2	70270245UL	USPC-127S300-T2-CAL UL
127	Three-phase Wye, 4W+G		100	T2	70270151UL	USPC-127Y100-T2-CAL UL
127	Three-phase Wye, 4W+G		150	T2	70270152UL	USPC-127Y150-T2-CAL UL
127	Three-phase Wye, 4W+G		200	T2	70270153UL	USPC-127Y200-T2-CAL UL
127	Three-phase Wye, 4W+G		250	T2	70270154UL	USPC-127Y250-T2-CAL UL
127	Three-phase Wye, 4W+G		300	T2	70270155UL	USPC-127Y300-T2-CAL UL
127	Three-phase Wye, 4W+G	●	100	T2	70270156UL	USPC-127YC100-T2-CAL UL
127	Three-phase Wye, 4W+G	●	150	T2	70270157UL	USPC-127YC150-T2-CAL UL
127	Three-phase Wye, 4W+G	●	200	T2	70270158UL	USPC-127YC200-T2-CAL UL
127	Three-phase Wye, 4W+G	●	250	T2	70270159UL	USPC-127YC250-T2-CAL UL
127	Three-phase Wye, 4W+G	●	300	T2	70270160UL	USPC-127YC300-T2-CAL UL
240	Single-phase, 2W+G		100	T2	70270246UL	USPC-240S100-T2-CAL UL
240	Single-phase, 2W+G		150	T2	70270247UL	USPC-240S150-T2-CAL UL
240	Single-phase, 2W+G		200	T2	70270248UL	USPC-240S200-T2-CAL UL
240	Single-phase, 2W+G		250	T2	70270249UL	USPC-240S250-T2-CAL UL
240	Single-phase, 2W+G		300	T2	70270250UL	USPC-240S300-T2-CAL UL
240	Split-phase, 2W+G		100	T2	70270141UL	USPC-240SP100-T2-CAL UL
240	Split-phase, 2W+G		150	T2	70270142UL	USPC-240SP150-T2-CAL UL
240	Split-phase, 2W+G		200	T2	70270143UL	USPC-240SP200-T2-CAL UL
240	Split-phase, 2W+G		250	T2	70270144UL	USPC-240SP250-T2-CAL UL
240	Split-phase, 2W+G		300	T2	70270145UL	USPC-240SP300-T2-CAL UL
240	Split-phase, 2W+G	●	100	T2	70270146UL	USPC-240SPC100-T2-CAL UL
240	Split-phase, 2W+G	●	150	T2	70270147UL	USPC-240SPC150-T2-CAL UL
240	Split-phase, 2W+G	●	200	T2	70270148UL	USPC-240SPC200-T2-CAL UL
240	Split-phase, 2W+G	●	250	T2	70270149UL	USPC-240SPC250-T2-CAL UL
240	Split-phase, 2W+G	●	300	T2	70270150UL	USPC-240SPC300-T2-CAL UL

Voltage (Un)	Configuration	Without N-G protection	Surge capacity per phase [kA]	Type	Order code	Type code
240	Three-phase Delta, 3W+G		100	T2	70270221UL	USPC-240D100-T2-CAL UL
240	Three-phase Delta, 3W+G		150	T2	70270222UL	USPC-240D150-T2-CAL UL
240	Three-phase Delta, 3W+G		200	T2	70270223UL	USPC-240D200-T2-CAL UL
240	Three-phase Delta, 3W+G		250	T2	70270224UL	USPC-240D250-T2-CAL UL
240	Three-phase Delta, 3W+G		300	T2	70270225UL	USPC-240D300-T2-CAL UL
240	Three-phase Wye, 4W+G		100	T2	70270171UL	USPC-240Y100-T2-CAL UL
240	Three-phase Wye, 4W+G		150	T2	70270172UL	USPC-240Y150-T2-CAL UL
240	Three-phase Wye, 4W+G		200	T2	70270173UL	USPC-240Y200-T2-CAL UL
240	Three-phase Wye, 4W+G		250	T2	70270174UL	USPC-240Y250-T2-CAL UL
240	Three-phase Wye, 4W+G		300	T2	70270175UL	USPC-240Y300-T2-CAL UL
240	Three-phase Wye, 4W+G	●	100	T2	70270176UL	USPC-240YC100-T2-CAL UL
240	Three-phase Wye, 4W+G	●	150	T2	70270177UL	USPC-240YC150-T2-CAL UL
240	Three-phase Wye, 4W+G	●	200	T2	70270178UL	USPC-240YC200-T2-CAL UL
240	Three-phase Wye, 4W+G	●	250	T2	70270179UL	USPC-240YC250-T2-CAL UL
240	Three-phase Wye, 4W+G	●	300	T2	70270180UL	USPC-240YC300-T2-CAL UL
240	Three-phase High-leg Delta, 4W+G		100	T2	70270211UL	USPC-240H100-T2-CAL UL
240	Three-phase High-leg Delta, 4W+G		150	T2	70270212UL	USPC-240H150-T2-CAL UL
240	Three-phase High-leg Delta, 4W+G		200	T2	70270213UL	USPC-240H200-T2-CAL UL
240	Three-phase High-leg Delta, 4W+G		250	T2	70270214UL	USPC-240H250-T2-CAL UL
240	Three-phase High-leg Delta, 4W+G		300	T2	70270215UL	USPC-240H300-T2-CAL UL
240	Three-phase High-leg Delta, 4W+G	●	100	T2	70270216UL	USPC-240HC100-T2-CAL UL
240	Three-phase High-leg Delta, 4W+G	●	150	T2	70270217UL	USPC-240HC150-T2-CAL UL
240	Three-phase High-leg Delta, 4W+G	●	200	T2	70270218UL	USPC-240HC200-T2-CAL UL
240	Three-phase High-leg Delta, 4W+G	●	250	T2	70270219UL	USPC-240HC250-T2-CAL UL
240	Three-phase High-leg Delta, 4W+G	●	300	T2	70270220UL	USPC-240HC300-T2-CAL UL
277	Single-phase, 2W+G		100	T2	70270251UL	USPC-277S100-T2-CAL UL
277	Single-phase, 2W+G		150	T2	70270252UL	USPC-277S150-T2-CAL UL
277	Single-phase, 2W+G		200	T2	70270253UL	USPC-277S200-T2-CAL UL
277	Single-phase, 2W+G		250	T2	70270254UL	USPC-277S250-T2-CAL UL
277	Single-phase, 2W+G		300	T2	70270255UL	USPC-277S300-T2-CAL UL
277	Three-phase Wye, 4W+G		100	T2	70270181UL	USPC-277Y100-T2-CAL UL
277	Three-phase Wye, 4W+G		150	T2	70270182UL	USPC-277Y150-T2-CAL UL
277	Three-phase Wye, 4W+G		200	T2	70270183UL	USPC-277Y200-T2-CAL UL
277	Three-phase Wye, 4W+G		250	T2	70270184UL	USPC-277Y250-T2-CAL UL
277	Three-phase Wye, 4W+G		300	T2	70270185UL	USPC-277Y300-T2-CAL UL
277	Three-phase Wye, 4W+G	●	100	T2	70270186UL	USPC-277YC100-T2-CAL UL
277	Three-phase Wye, 4W+G	●	150	T2	70270187UL	USPC-277YC150-T2-CAL UL
277	Three-phase Wye, 4W+G	●	200	T2	70270188UL	USPC-277YC200-T2-CAL UL
277	Three-phase Wye, 4W+G	●	250	T2	70270189UL	USPC-277YC250-T2-CAL UL

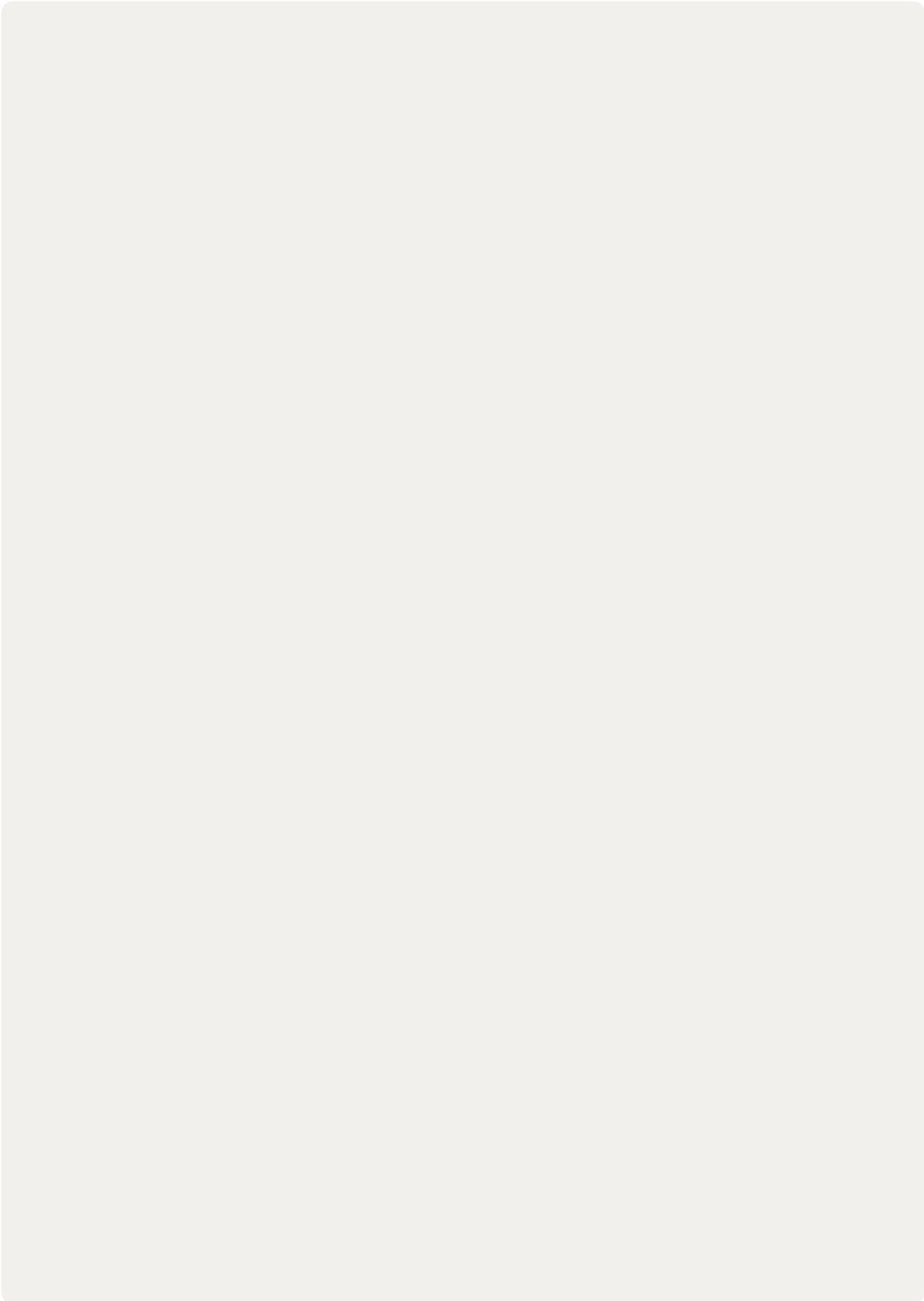
# Ordering information

## Panel Type

### USPC Series

Voltage (Un)	Configuration	Without N-G protection	Surge capacity per phase [kA]	Type	Order code	Type code
277	Three-phase Wye, 4W+G	●	300	T2	70270190UL	USPC-277YC300-T2-CAL UL
347	Single-phase, 2W+G		100	T2	70270256UL	USPC-347S100-T2-CAL UL
347	Single-phase, 2W+G		150	T2	70270257UL	USPC-347S150-T2-CAL UL
347	Single-phase, 2W+G		200	T2	70270258UL	USPC-347S200-T2-CAL UL
347	Single-phase, 2W+G		250	T2	70270259UL	USPC-347S250-T2-CAL UL
347	Single-phase, 2W+G		300	T2	70270260UL	USPC-347S300-T2-CAL UL
347	Three-phase Wye, 4W+G		100	T2	70270191UL	USPC-347Y100-T2-CAL UL
347	Three-phase Wye, 4W+G		150	T2	70270192UL	USPC-347Y150-T2-CAL UL
347	Three-phase Wye, 4W+G		200	T2	70270193UL	USPC-347Y200-T2-CAL UL
347	Three-phase Wye, 4W+G		250	T2	70270194UL	USPC-347Y250-T2-CAL UL
347	Three-phase Wye, 4W+G		300	T2	70270195UL	USPC-347Y300-T2-CAL UL
347	Three-phase Wye, 4W+G	●	100	T2	70270196UL	USPC-347YC100-T2-CAL UL
347	Three-phase Wye, 4W+G	●	150	T2	70270197UL	USPC-347YC150-T2-CAL UL
347	Three-phase Wye, 4W+G	●	200	T2	70270198UL	USPC-347YC200-T2-CAL UL
347	Three-phase Wye, 4W+G	●	250	T2	70270199UL	USPC-347YC250-T2-CAL UL
347	Three-phase Wye, 4W+G	●	300	T2	70270200UL	USPC-347YC300-T2-CAL UL
480	Three-phase Delta, 3W+G		100	T2	70270226UL	USPC-480D100-T2-CAL UL
480	Three-phase Delta, 3W+G		150	T2	70270227UL	USPC-480D150-T2-CAL UL
480	Three-phase Delta, 3W+G		200	T2	70270228UL	USPC-480D200-T2-CAL UL
480	Three-phase Delta, 3W+G		250	T2	70270229UL	USPC-480D250-T2-CAL UL
480	Three-phase Delta, 3W+G		300	T2	70270230UL	USPC-480D300-T2-CAL UL
600	Three-phase Delta, 3W+G		100	T2	70270231UL	USPC-600D100-T2-CAL UL
600	Three-phase Delta, 3W+G		150	T2	70270232UL	USPC-600D150-T2-CAL UL
600	Three-phase Delta, 3W+G		200	T2	70270233UL	USPC-600D200-T2-CAL UL
600	Three-phase Delta, 3W+G		250	T2	70270234UL	USPC-600D250-T2-CAL UL
600	Three-phase Delta, 3W+G		300	T2	70270235UL	USPC-600D300-T2-CAL UL

# Memo





## Headquarters

127 LS-ro (Hogye-dong) Dongan-gu, Anyang-si, Gyeonggi-Do, 14119, Korea

## Seoul Office

LS Yongsan Tower, 92, Hangang-daero, Yongsan-gu, Seoul, 04386, Korea  
TEL: 82-2-2034-4916, 4684, 4429

## China

LS ELECTRIC (Dalian) Co., Ltd.  
+86-411-8730-5872  
china.dalian@lselectric.com.cn

LS ELECTRIC (Wuxi) Co., Ltd.  
+86-510-6851-6666  
china.wuxi@lselectric.com.cn

LS ELECTRIC (Lishui) Co., Ltd.  
+86-578-6866-780  
china.lishui@lselectric.com.cn

Shanghai Office  
+86-21-5237-9977  
china@lselectric.com.cn

Beijing Office  
+86-10-5095-1631  
china@lselectric.com.cn

Guangzhou Office  
+86-20-3818-2883  
china@lselectric.com.cn

Qingdao Office  
+86-532-8501-2065  
china@lselectric.com.cn

Chengdu Office  
+86-28-8670-3201  
china@lselectric.com.cn

Nanjing Office  
+86-25-84 67-0005  
china@lselectric.com.cn

## India

India Office  
+91-80-6142-9108  
Info\_india@ls-electric.com

## Indonesia

PT. LS ELECTRIC INDONESIA  
+62-21-2933-7614  
indonesia@ls-electric.com

## Italy

Italy office  
+39-030-8081-833  
italia@ls-electric.com

## Japan

LS ELECTRIC Japan Co., Ltd.  
+81-3-6268-8241  
japan@ls-electric.com

Tokyo Office  
+81-3-6268-8241  
tokyo@ls-electric.com

## Netherlands

LS ELECTRIC Europe B.V.  
+31-20-654-1424  
europartner@ls-electric.com

## Russia

Moscow Office  
+7-499-682-6130  
info@lselectric-ru.com

## Singapore

Singapore Office  
+65-6958-8162  
singapore@ls-electric.com

## Spain

LS ELECTRIC IBERIA S.L.U.  
+34-910-28-02-74  
iberia@ls-electric.com

## Thailand

Bangkok Office  
+66-2-128-0295  
thailand@ls-electric.com

## Türkiye

LS ELECTRIC Türkiye Co., Ltd.  
+90-212-806-1252  
turkiye@ls-electric.com

## U.A.E.

LS ELECTRIC Middle East FZE (Dubai)  
+971-4-886-5360  
middleeast@ls-electric.com

## USA

LS ELECTRIC America Inc.  
+1-800-891-2941  
sales.us@lselectricamerica.com

LS ENERGY SOLUTIONS LLC  
+1-980-221-0654  
info@ls-es.com

MCM Engineering II  
+1-435-865-0125  
sales.us@lselectricamerica.com

America Western Office  
+1-949-333-3140  
america@ls-electric.com

America Bastrop Campus  
+1-800-891-2941 EXT 2  
power\_support.us@lselectricamerica.com

## Vietnam

LS ELECTRIC Vietnam Co., Ltd.  
+84-222-2221-110  
vietnam@ls-electric.com

Hanoi Office  
+84-24-6275-8054  
vietnam@ls-electric.com

Ho Chi Minh Office  
+84-3823-7890  
vietnam@ls-electric.com

Specifications in this catalog are subject to change without notice due to continuous product development and improvement

© 2026. 04 LS ELECTRIC Co., Ltd. All rights reserved. English (01) 2026. 05 HumanPower

[www.ls-electric.com](http://www.ls-electric.com)