



Beyond

TM Metal-Enclosed
Load Interrupter
Switchgear



LS ELECTRIC



Beyond X™ Metal-Enclosed Load Interrupter Switchgear

LS ELECTRIC's metal-enclosed load interrupter switchgear functions as a large switch that enables or interrupts power flow, providing reliable medium-voltage protection from 4.76 kV to 15 kV.



Beyond X™ Metal-Enclosed Load Interrupter Switchgear



Contents

Metal-Enclosed Load Interrupter Switchgear	
Ratings and description	4
Configurations	5
Dimensions	6

Ratings and Configurations

UME-05 / 15  US

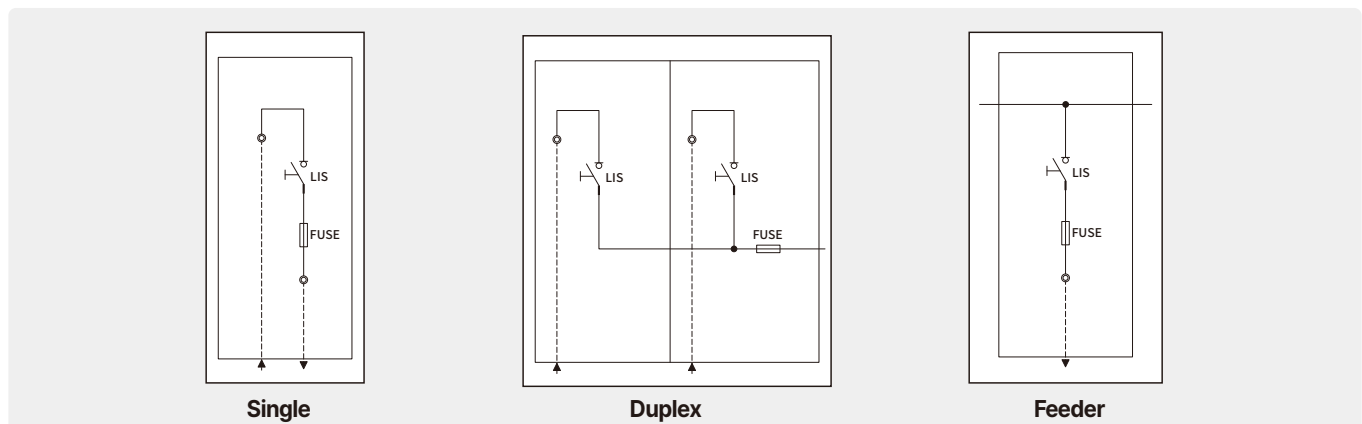
Metal-Enclosed Load Interrupter Switchgear		UME							
Maximum rated voltage	(kV)	4.76				15			
Dielectric strength	(kV)	19				36			
Impulse voltage	(kV)	60				95			
Rated normal current	(A)	600		1200		600		1200	
Rated frequency	(Hz)	60		60		60		60	
Momentary current, peak	(kA)	65	98.8	65	98.8	65	98.8	65	98.8
Short time current, RMS Sym.	(kA)	25	38	25	38	25	38	25	38
Short time duration	(3sec)	●	●	●	●	●	●	●	●
Standard		IEEE C37.20.3, ANSI C37.57, CSA C22.2 No. 31							

Designation

Model	Rated voltage (kV)	Switch	Handle operation	Type	Enclosure	Configuration
UME	05 4.76 15 15	LI Load Interrupter Switch	L Left R Right	S Single D Duplex F Feeder	N1 NEMA 1 N3 NEMA 3R	1 Switch only included ^{Note)} Switch included, Fuse-ready but not included ^{Note)} F

Note: A fuse kit and barrier are required for fuse installation (see page 43 for details). For information about other available fuse options, please contact the LS ELECTRIC sales team.

Configurations



Configurations

Item code list

Rated voltage	Type	Enclosure	Handle operation	Dimension(Gear)			Item code	Description
				W(Inch)	H(Inch)	D(Inch)		
4.76 kV	Single	NEMA 1	Left	36	54.5	90	90150000567	UME-05-LI-L-SN1-1
				36	54.5	90	90150000818	UME-05-LI-L-SN1-F
	Single	NEMA 1	Right	36	54.5	90	90150000565	UME-05-LI-R-SN1-1
				36	54.5	90	90150000822	UME-05-LI-R-SN1-F
	Single	NEMA 3R	Left	36	61	100	90150000568	UME-05-LI-L-SN3-1
				36	61	100	90150000820	UME-05-LI-L-SN3-F
	Single	NEMA 3R	Right	36	61	100	90150000566	UME-05-LI-R-SN3-1
				36	61	100	90150000824	UME-05-LI-R-SN3-F
	Duplex	NEMA 1	Left	36	54.5	90	90150000561	UME-05-LI-L-DN1-1
				36	54.5	90	90150000562	UME-05-LI-L-DN1-F
	Duplex	NEMA 1	Right	36	54.5	90	90150000557	UME-05-LI-R-DN1-1
				36	54.5	90	90150000558	UME-05-LI-R-DN1-F
	Duplex	NEMA 3R	Left	36	61	100	90150000563	UME-05-LI-L-DN3-1
				36	61	100	90150000564	UME-05-LI-L-DN3-F
	Duplex	NEMA 3R	Right	36	61	100	90150000559	UME-05-LI-R-DN3-1
				36	61	100	90150000560	UME-05-LI-R-DN3-F
	Feeder	NEMA 1	Left	36	54.5	90	90150000555	UME-05-LI-L-FN1-1
				36	54.5	90	90150000826	UME-05-LI-L-FN1-F
	Feeder	NEMA 1	Right	36	54.5	90	90150000553	UME-05-LI-R-FN1-1
				36	54.5	90	90150000830	UME-05-LI-R-FN1-F
	Feeder	NEMA 3R	Left	36	61	100	90150000556	UME-05-LI-L-FN3-1
				36	61	100	90150000828	UME-05-LI-L-FN3-F
	Feeder	NEMA 3R	Right	36	61	100	90150000554	UME-05-LI-R-FN3-1
				36	61	100	90150000832	UME-05-LI-R-FN3-F
15 kV	Single	NEMA 1	Left	36	54.5	90	90150000287	UME-15-LI-L-SN1-1
				36	54.5	90	90150000819	UME-15-LI-L-SN1-F
	Single	NEMA1	Right	36	54.5	90	90150000285	UME-15-LI-R-SN1-1
				36	54.5	90	90150000823	UME-15-LI-R-SN1-F
	Single	NEMA 3R	Left	36	61	100	90150000288	UME-15-LI-L-SN3-1
				36	61	100	90150000821	UME-15-LI-L-SN3-F
	Single	NEMA 3R	Right	36	61	100	90150000286	UME-15-LI-R-SN3-1
				36	61	100	90150000825	UME-15-LI-R-SN3-F
	Duplex	NEMA 1	Left	36	54.5	90	90150000293	UME-15-LI-L-DN1-1
				36	54.5	90	90150000294	UME-15-LI-L-DN1-F
	Duplex	NEMA 1	Right	36	54.5	90	90150000289	UME-15-LI-R-DN1-1
				36	54.5	90	90150000290	UME-15-LI-R-DN1-F
	Duplex	NEMA 3R	Left	36	61	100	90150000295	UME-15-LI-L-DN3-1
				36	61	100	90150000296	UME-15-LI-L-DN3-F
	Duplex	NEMA 3R	Right	36	61	100	90150000291	UME-15-LI-R-DN3-1
				36	61	100	90150000292	UME-15-LI-R-DN3-F
	Feeder	NEMA 1	Left	36	54.5	90	90150000311	UME-15-LI-L-FN1-1
				36	54.5	90	90150000827	UME-15-LI-L-FN1-F
	Feeder	NEMA 1	Right	36	54.5	90	90150000309	UME-15-LI-R-FN1-1
				36	54.5	90	90150000831	UME-15-LI-R-FN1-F
	Feeder	NEMA 3R	Left	36	61	100	90150000312	UME-15-LI-L-FN3-1
				36	61	100	90150000829	UME-15-LI-L-FN3-F
	Feeder	NEMA 3R	Right	36	61	100	90150000310	UME-15-LI-R-FN3-1
				36	61	100	90150000833	UME-15-LI-R-FN3-F

Dimensions

Single type

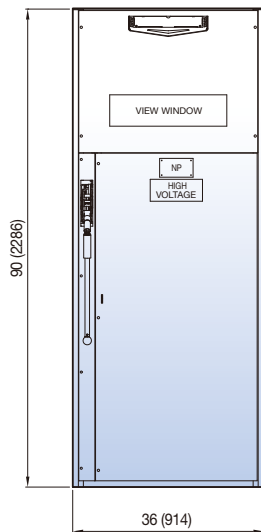
NEMA 1

Left operation

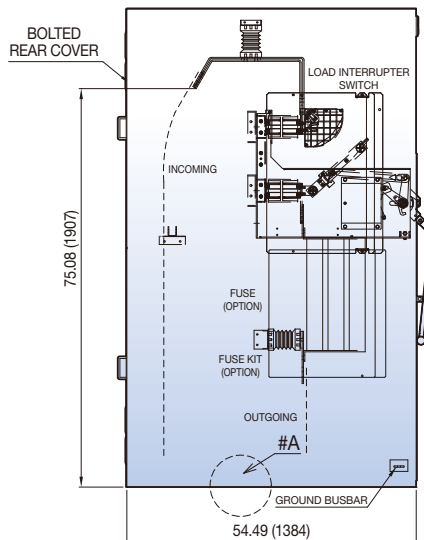
Unit: inch(mm)

UME-05-LI-L-SN1-1
UME-15-LI-L-SN1-1

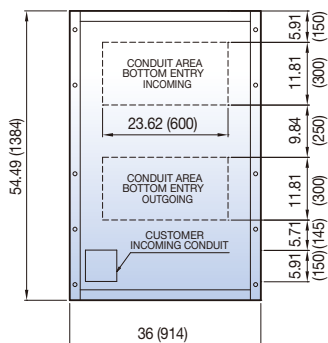
Front view



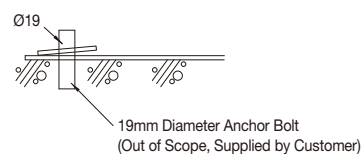
Section view



Base plan



#A Equipment anchoring

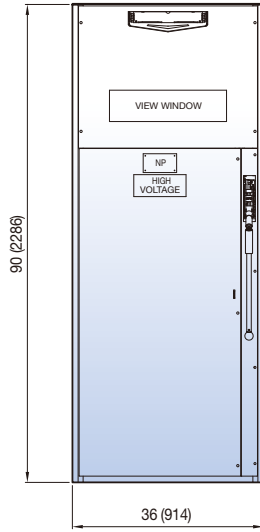


Right operation

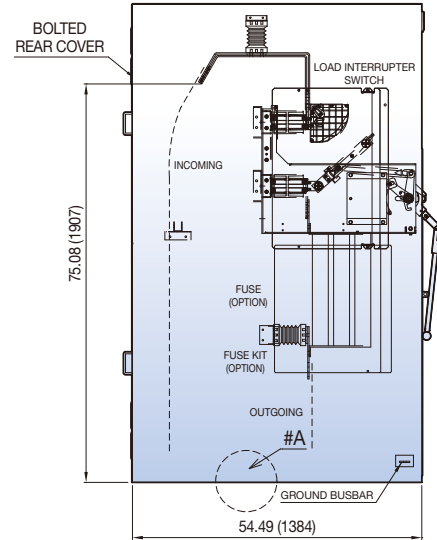
Unit: inch(mm)

UME-05-LI-R-SN1-1
 UME-15-LI-R-SN1-1

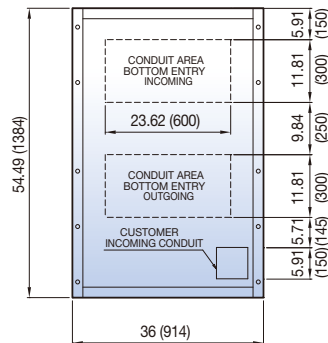
Front view



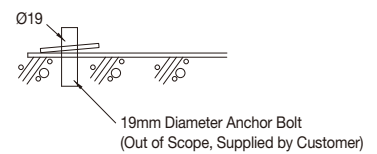
Section view



Base plan



#A Equipment anchoring



Dimensions

Single type

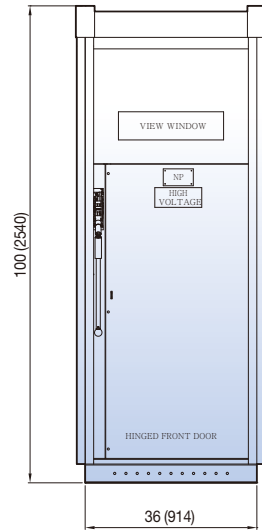
NEMA 3R

Left operation

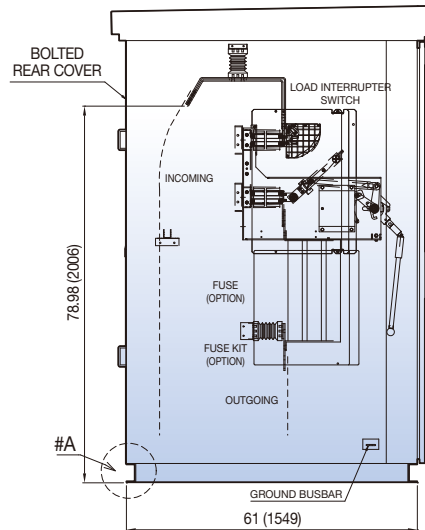
Unit: inch(mm)

UME-05-LI-L-SN3-1
 UME-15-LI-L-SN3-1

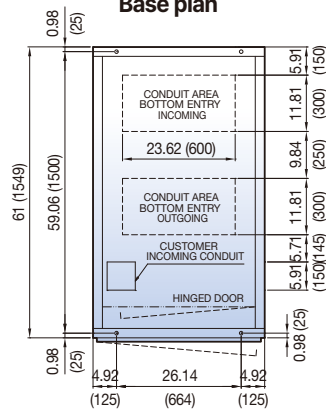
Front view



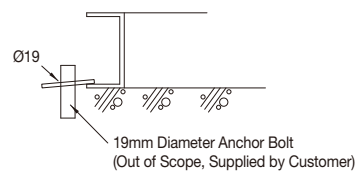
Section view



Base plan



#A Equipment anchoring

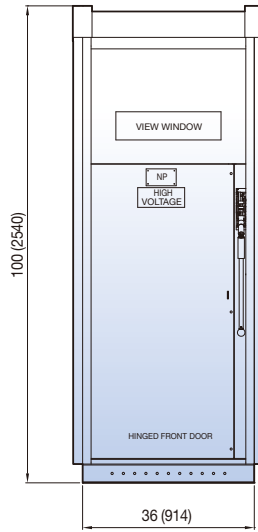


Right operation

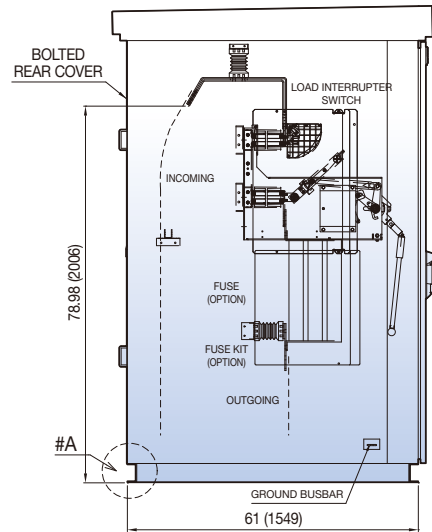
Unit: inch(mm)

UME-05-LI-R-SN3-1
 UME-15-LI-R-SN3-1

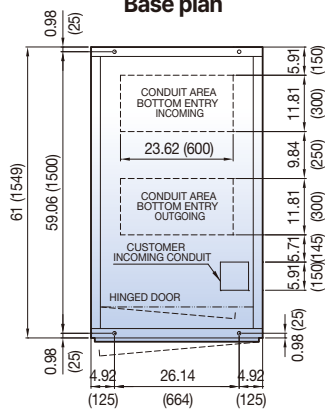
Front view



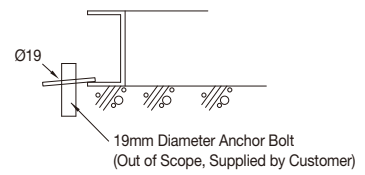
Section view



Base plan



#A Equipment anchoring



Dimensions

Duplex type

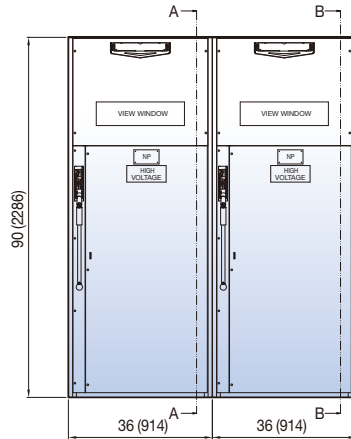
NEMA 1

Left operation

Unit: inch(mm)

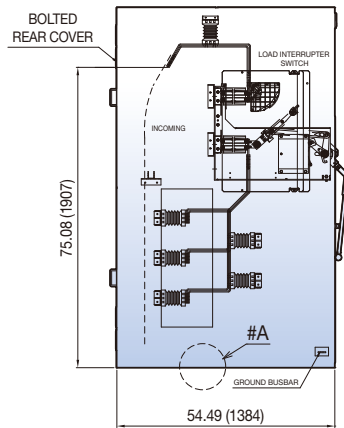
UME-05-LI-L-DN1-1
 UME-05-LI-L-DN1-F
 UME-15-LI-L-DN1-1
 UME-15-LI-L-DN1-F

Front view

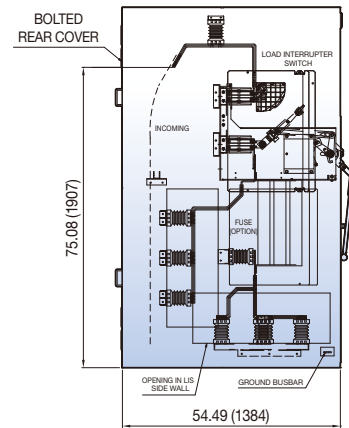


UME-05-LI-L-DN1-1 UME-05-LI-L-DN1-F
 UME-15-LI-L-DN1-1 UME-15-LI-L-DN1-F

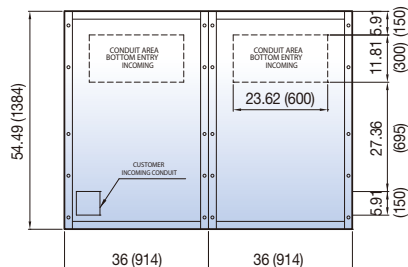
Section view A-A



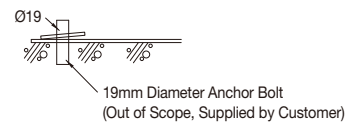
Section view B-B



Base plan



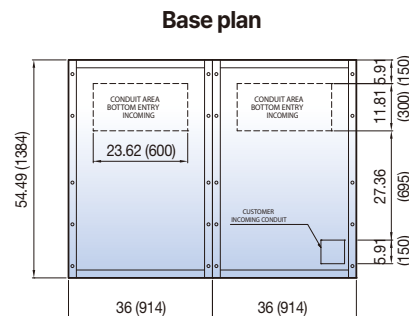
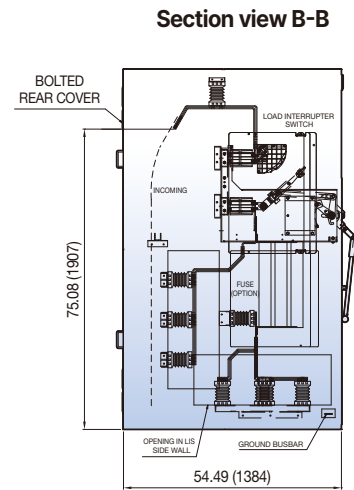
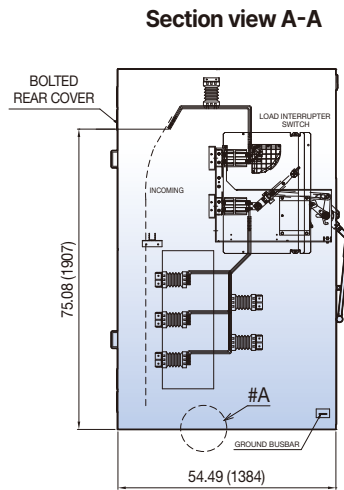
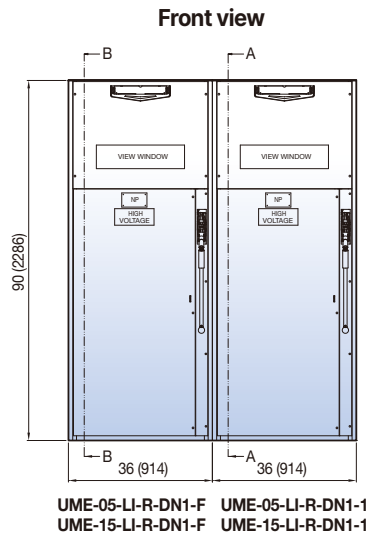
#A Equipment anchoring



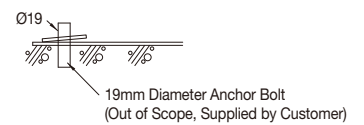
Right operation

- UME-05-LI-R-DN1-1
- UME-05-LI-R-DN1-F
- UME-15-LI-R-DN1-1
- UME-15-LI-R-DN1-F

Unit: inch(mm)



#A Equipment anchoring



Dimensions

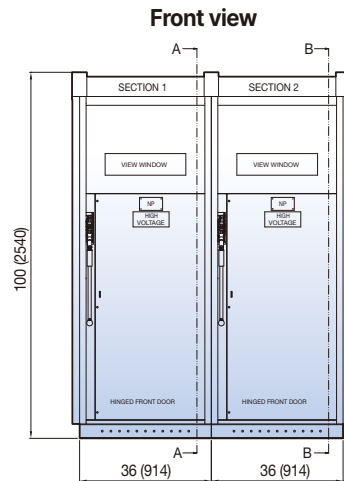
Duplex type

NEMA 3R

Left operation

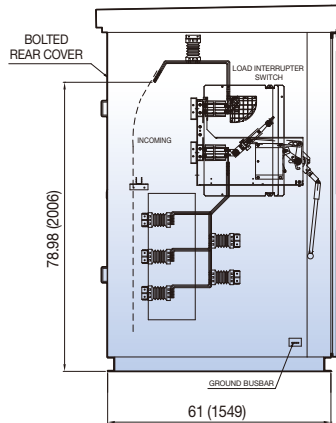
Unit: inch(mm)

UME-05-LI-L-DN3-1
 UME-05-LI-L-DN3-F
 UME-15-LI-L-DN3-1
 UME-15-LI-L-DN3-F

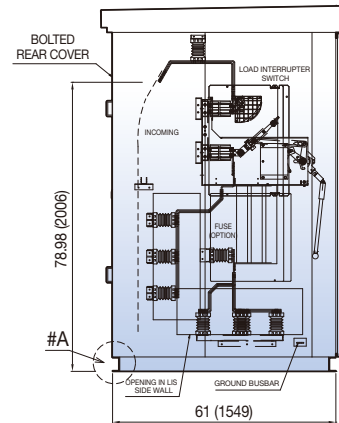


UME-05-LI-L-DN3-1 UME-05-LI-L-DN3-F
 UME-15-LI-L-DN3-1 UME-15-LI-L-DN3-F

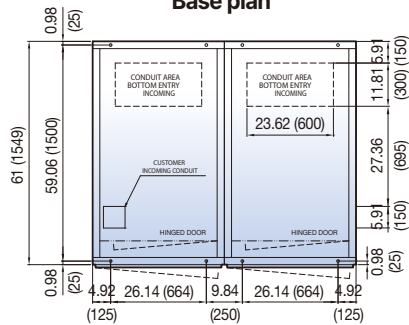
Section view A-A



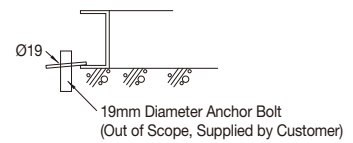
Section view B-B



Base plan



#A Equipment anchoring

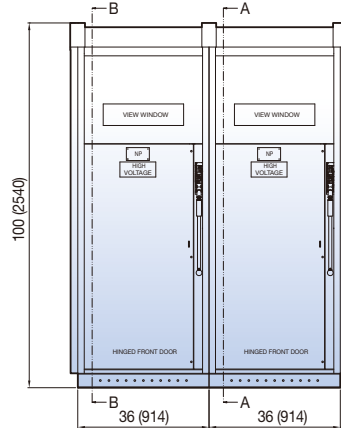


Right operation

Unit: inch(mm)

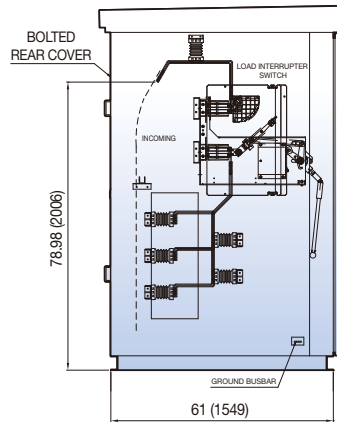
- UME-05-LI-R-DN3-1
- UME-05-LI-R-DN3-F
- UME-15-LI-R-DN3-1
- UME-15-LI-R-DN3-F

Front view

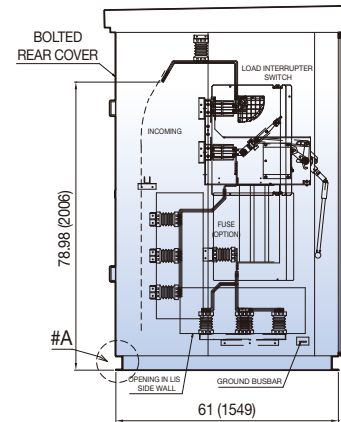


UME-05-LI-R-DN3-F UME-05-LI-R-DN3-1
 UME-15-LI-R-DN3-F UME-15-LI-R-DN3-1

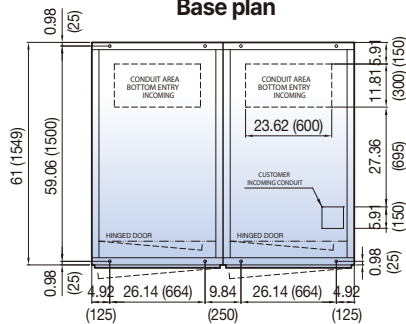
Section view A-A



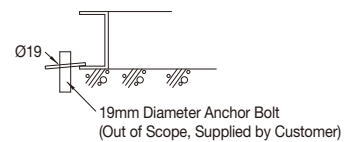
Section view B-B



Base plan



#A Equipment anchoring





Dimensions

Feeder type

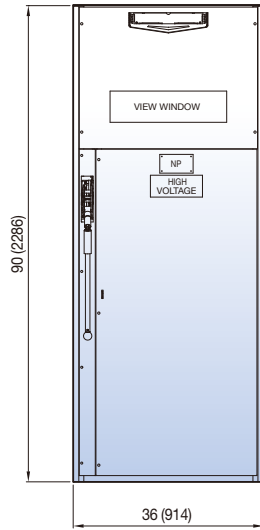
NEMA 1

Left operation

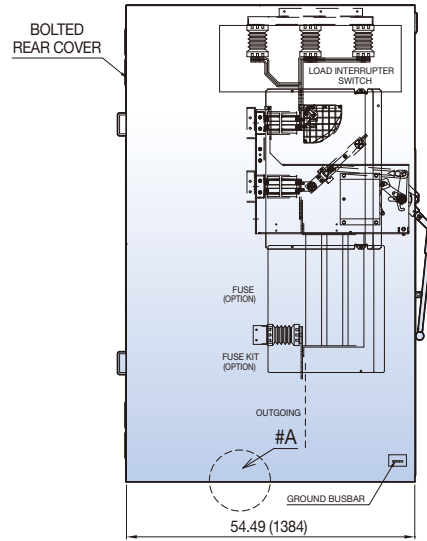
Unit: inch(mm)

UME-05-LI-L-FN1-1
UME-15-LI-L-FN1-1

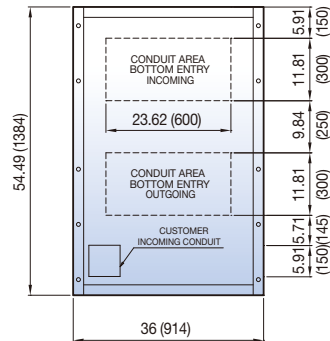
Front view



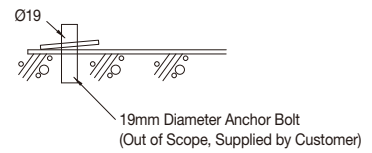
Section view



Base plan



#A Equipment anchoring

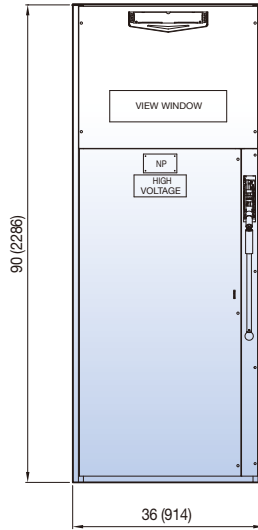


Right operation

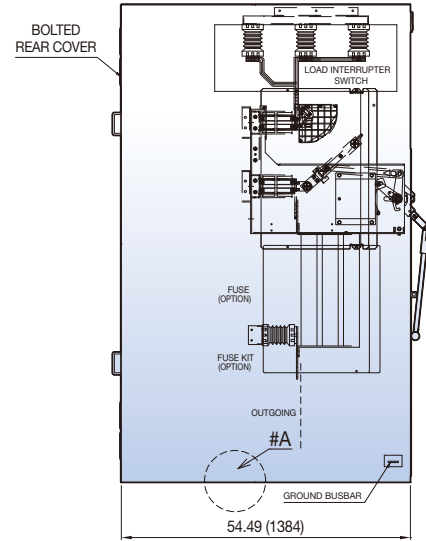
Unit: inch(mm)

UME-05-LI-R-FN1-1
 UME-15-LI-R-FN1-1

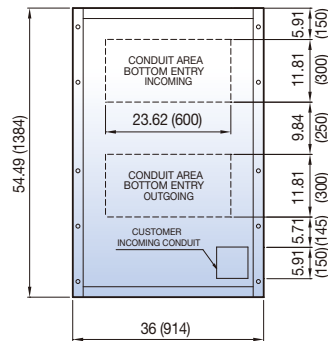
Front view



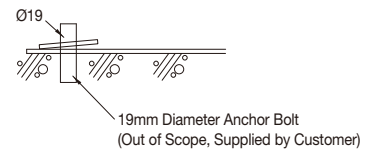
Section view



Base plan



#A Equipment anchoring



Dimensions

Feeder type

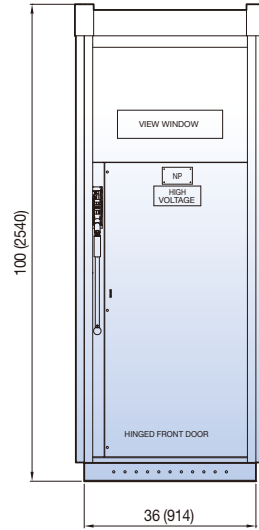
NEMA 3R

Left operation

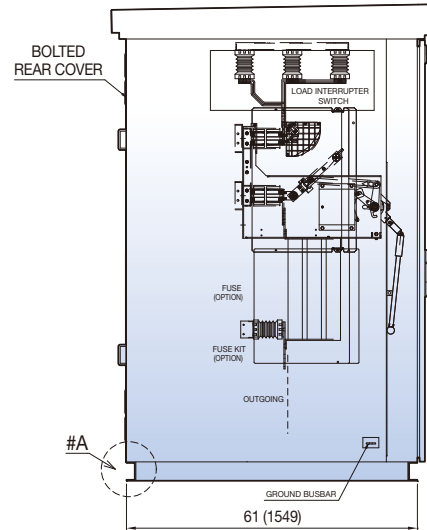
Unit: inch(mm)

UME-05-LI-L-FN3-1
 UME-15-LI-L-FN3-1

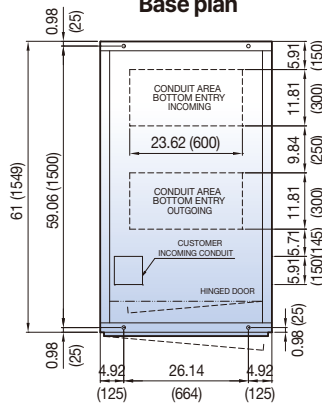
Front view



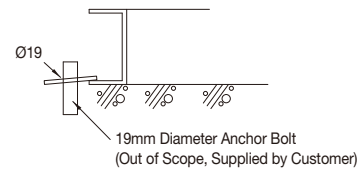
Section view



Base plan



#A Equipment anchoring

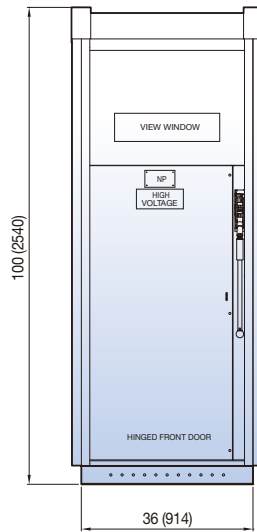


Right operation

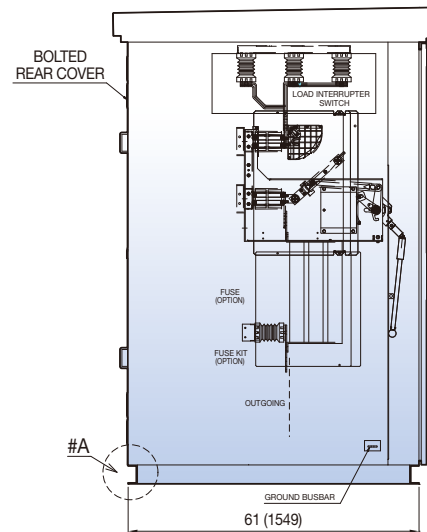
Unit: inch(mm)

UME-05-LI-R-FN3-1
 UME-15-LI-R-FN3-1

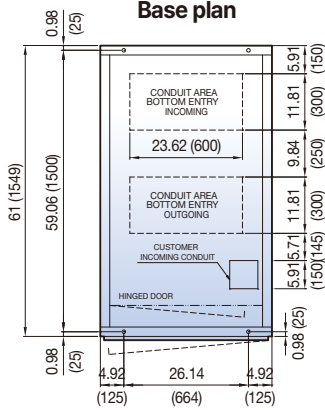
Front view



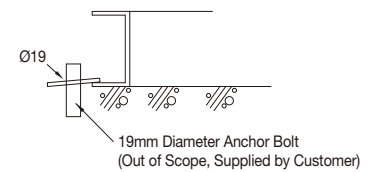
Section view



Base plan



#A Equipment anchoring



LS ELECTRIC's Load Interrupter Switch is a three-pole load breaking switch for general applications. The LS Load Interrupter Switch provides higher symmetrical and asymmetrical interrupting ratings than those of other OEMs, with standard voltage ranges from 4.76 kV to 38 kV, making it a robust solution for medium voltage applications.

LS ELECTRIC's Load Interrupter Switch includes a heavy-duty steel frame with stand-off insulators and unique arc extinguishing system. Optional accessories and features include operating handles, a motor operator, auxiliary switches, padlock and kirk keylock.



BeyondX™ Load Interrupter Switcher



Contents

Load Interrupter Switch

Ratings and description	20
External structure	22
Selection guide	23
Selection guide of Load Interrupter Switch	24
Dimensions	26
Accessories	42
Ordering codes	50

Ratings and description

ULI-05/15

Load interrupter switch type		ULI-05				ULI-15			
Maximum rated voltage	(kV)	4.76				15			
Withstand voltage	Dielectric (1min)	19				36			
	Lightening impulse (1.2x50µs)	60				95			
Rated normal current	(A)	600		1200		600		1200	
Rated frequency	(Hz)	60		60		60		60	
Fault-making symmetrical	(kA)	25	40	25	40	25	40	25	40
Fault-making asymmetrical	(kA)	40	64	40	64	40	64	40	64
Rated peak current	(kA)	65	104	65	104	65	104	65	104
Rated short-time withstand current	(kA)	25	40	25	40	25	40	25	40
	(3sec)	●	●	●	●	●	●	●	●
Installation type		Fixed Upright type: Left (L) or Right (R) Operation, Fixed Inverted type: Left (S) or Right (T) Operation							
Mechanical endurance	Operations	500 times							
Operating temperature		-40°C to 40°C							
Standard		IEEE C37.20.4, ANSI C37.58, CSA C22.2 No. 193:M83							
UL Certificate		R/C(Recognized Component), UL/CSA							

ULI-06 Mini type

Load interrupter switch type		ULI-06
Maximum rated voltage	(kV)	5.5
Withstand voltage	Dielectric (1min)	19
	Lightening impulse (1.2x50µs)	60
Rated normal current	(A)	200
Rated frequency	(Hz)	60
Fault-making symmetrical	(kA)	12.5
Fault-making asymmetrical	(kA)	20
Rated peak current	(kA)	32.5
Rated short-time withstand current	(kA)	32.5
	(3sec)	●
Installation type		Fixed Upright type: Left (L) or Right (R) Operation
Mechanical endurance	Operations	750 times
Operating temperature		-40°C to 40°C
Standard		IEEE C37.20.4, ANSI C37.58, CSA C22.2 No.193:M83
UL Certificate		R/C(Recognized Component), UL/CSA

ULI-27/29 

ULI-38 

ULI-27				ULI-29				ULI-38			
27				29				38			
60				60				80			
125				125				150			
600		1200		600		1200		600		800	
60		60		60		60		60		60	
25	40	25	40	25	40	25	40	25	31.5	25	31.5
40	64	40	64	40	64	40	64	40	50.4	40	50.4
65	104	65	104	65	104	65	104	65	81.9*	65	81.9*
25	40	25	40	25	40	25	40	25	31.5**	25	31.5**
●	●	●	●	●	●	●	●	●	●	●	●
Fixed Upright type: Left (L) or Right (R) Operation								Fixed Upright type: Left (L) or Right (R) Operation			
500 times								500 times			
-40°C to 40°C								-40°C to 40°C			
IEEE C37.20.4, ANSI C37.58								IEEE C37.20.4, ANSI C37.58			
R/C(Recognized Component)								R/C(Recognized Component)			

* Guaranteed by the manufacturer up to 104 kA

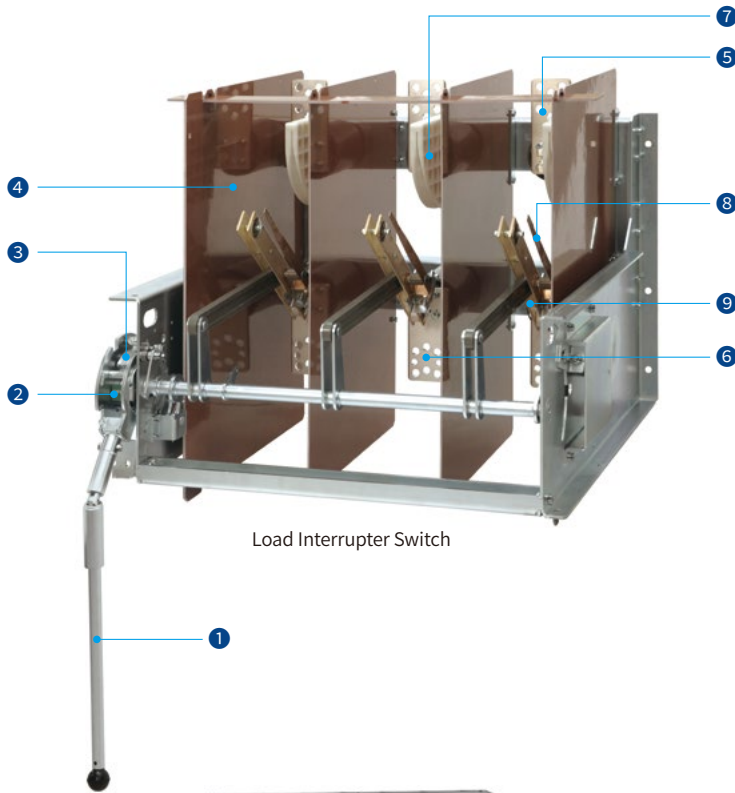
** Guaranteed by the manufacturer up to 40 kA

UGS-05/15/27/38 

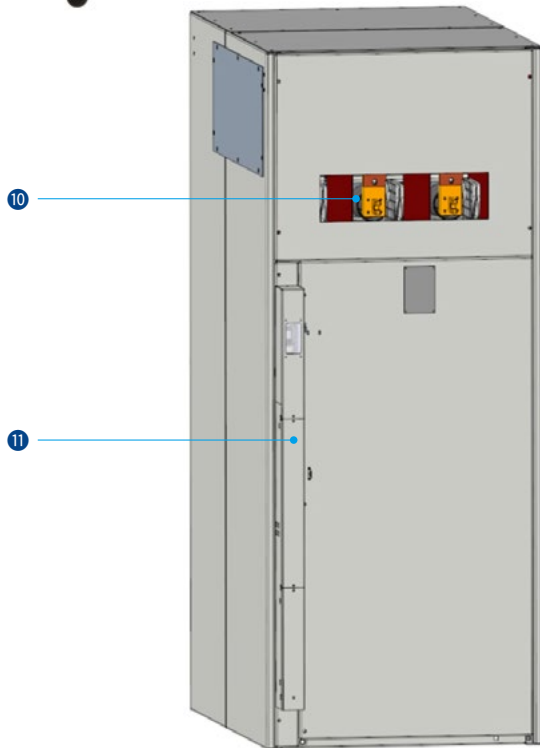
VT grounding switch type		UGS-05	UGS-15	UGS-27	UGS-38
Maximum rated voltage	(kV)	4.76	15	27	38
Withstand voltage	Dielectric (1min) (kV)	19	36	60	80
	Lightening impulse (1.2x50µs) (kV)	60	95	125	150
Rated normal current	(A)	-	-	-	-
Rated frequency	(Hz)	60	60	60	60
Fault-making symmetrical	(kA)	-	-	-	-
Fault-making asymmetrical	(kA)	-	-	-	-
Rated peak current	(kA)	104	104	104	104
Rated short-time withstand current	(kA)	40	40	40	40
	(2sec)	●	●	●	●
Installation type	Fixed Upright type: Left (L) or Right (R) Operation				
Mechanical endurance	Operations	750 times		500 times	
Operating temperature	-40°C to 40°C				
Standard	IEEE C37.20.4, ANSI C37.58, CSA C22.2 No. 193:M83				
UL Certificate	R/C(Recognized Component), UL/CSA				

External structure

Load interrupter switch



Load Interrupter Switch



Load Interrupter Switch with power operation KIT

Parts

- ① Operating handle
- ② "Closed/Open" indicator
- ③ Handle drive mechanism
- ④ Insulation barrier
- ⑤ Line terminal
- ⑥ Load terminal
- ⑦ Arc chamber
- ⑧ Interrupting blade
- ⑨ Main blade
- ⑩ Inspection window
- ⑪ Power operation KIT

Selection guide

Load interrupter switch description

ULI	15	L	40	C	12	G
Model	Rated voltage (kV)	Handle configuration	Fault making current (Sym, kA)	Phase distance	Rated current (A)	Accessories
ULI LOAD INTERRUPTER SWITCH	05 4.76	L Upright Type (Left Operation)	25 25	C 10in(254mm)	06 600	G Grounding option in open position
	15 15	R Upright Type (Right Operation)	40 40		12 1200	
		S Inverted Type (Left Operation)				
		T Inverted Type (Right Operation)				
	27 27	L Upright Type (Left Operation)	25 25	D 12in(304.8mm)	06 600	G Grounding option in open position
	29 29	R Upright Type (Right Operation)	40 40		12 1200	
	38 38	L Upright Type (Left Operation)	25 25	E 16in(406.4mm)	06 600	G Grounding option in open position
		R Upright Type (Right Operation)	32 31.5		08 800	
	06 5.5	L Upright Type (Left Operation)	13 12.5	A 6in(152.4mm)	02 200	
		R Upright Type (Right Operation)				

Selection guide of Load Interrupter Switch

Selection table of load interrupter switch

ULI-05/15/27/29/38

Max. Voltage	Fault making current [kA]		Rated peak current [kA]	Rated short-time withstand current [kA]	Current [A] p = 10 in	Type of load interrupter switch (Common applied to L, R, S and T type)	Weight [lb]	Outline dimension H×W×D [in]
	Symmetrical	Asymmetrical						
4,76	25	40	65	25	600 1200	ULI-05□25C06 ULI-05□25C12	220.5 220.5	27×33×29 27×33×29
	40	64	104	40	600 1200	ULI-05□40C06 ULI-05□40C12	220.5 220.5	27×33×29 27×33×29
15	25	40	65	25	600 1200	ULI-15□25C06 ULI-15□25C12	220.5 220.5	27×33×29 27×33×29
	40	64	104	40	600 1200	ULI-15□40C06 ULI-15□40C12	220.5 220.5	27×33×29 27×33×29

Max. Voltage	Fault making current [kA]		Rated peak current [kA]	Rated short-time withstand current [kA]	Current [A] p = 12 in	Type of load interrupter switch (Common applied to L and R type)	Weight [lb]	Outline dimension H×W×D [in]
	Symmetrical	Asymmetrical						
27	25	40	65	25	600 1200	ULI-27□25D06 ULI-27□25D12	319.7 319.7	30.8×43.5×34.7 30.8×43.5×34.7
	40	64	104	40	600 1200	ULI-27□40D06 ULI-27□40D12	319.7 319.7	30.8×43.5×34.7 30.8×43.5×34.7
29	25	40	65	25	600 1200	ULI-29□25D06 ULI-29□25D12	319.7 319.7	30.8×43.5×34.7 30.8×43.5×34.7
	40	64	104	40	600 1200	ULI-29□40D06 ULI-29□40D12	319.7 319.7	30.8×43.5×34.7 30.8×43.5×34.7

Max. Voltage	Fault making current [kA]		Rated peak current [kA]	Rated short-time withstand current [kA]	Current [A] p = 16 in	Type of load interrupter switch (Common applied to L and R type)	Weight [lb]	Outline dimension H×W×D [in]
	Symmetrical	Asymmetrical						
38	25	40	65	25	600 800	ULI-38□25E06 ULI-38□25E08	407.8 407.8	33.6×55.4×40.3 33.6×55.4×40.3
	31.5	50.4	81.9*	31.5**	600 800	ULI-38□32E06 ULI-38□32E08	407.8 407.8	33.6×55.4×40.3 33.6×55.4×40.3

* Guaranteed by the manufacturer up to 104 kA

** Guaranteed by the manufacturer up to 40 kA

ULI-06 Mini type

Max. Voltage	Fault Making Current [kA]		Rated peak current [kA]	Rated Short-time withstand current [kA]	Current [A] p = 6 in	Type of load interrupter switch (Common applied to L and R type)	Weight [lb]	Outline dimension H×W×D [in]
	Symmetrical	Asymmetrical						
5.5	12.5	20	32.5	12.5	200	ULI-06□13A02	88.2	31.6×25×15.3

VT grounding switch description

UGS		15		L		40		D	
Model		Rated voltage (kV)		Handle configuration		Short-time withstand current(kA)		Phase distance	
UGS	VT Grounding Switch	05	4.76	L	Upright Type (Left Operation)	40	40	D	12in(304.8mm)
		15	15	R	Upright Type (Right Operation)				
		27	27	L	Upright Type (Left Operation)	40	40	E	16in(406.4mm)
		38	38	R	Upright Type (Right Operation)				

VT grounding switch selection table

UGS-05/15/27/38

Max. Voltage [kV]	Rated peak current [kA]	Rated short-time withstand current [kA/2s]	Phase distance	VT grounding switch model (Select: L or R type)	Weight [lb]	External dimensions (H×W×D) [in]
4.76	104	40	12in	UGS-05□40D	242.5	27×43.5×29
15	104	40	12in	UGS-15□40D	242.5	27×43.5×29
27	104	40	16in	UGS-27□40E	363.8	34×55.5×40.3
38	104	40	16in	UGS-38□40E	385.8	34×55.5×40.3

Dimensions

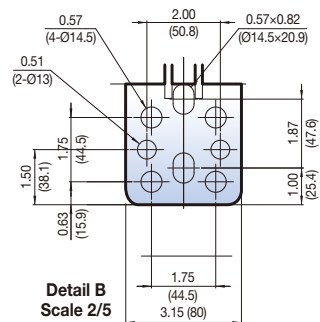
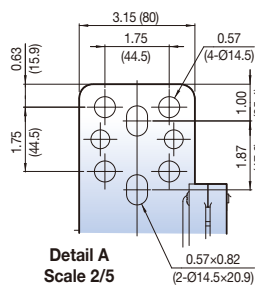
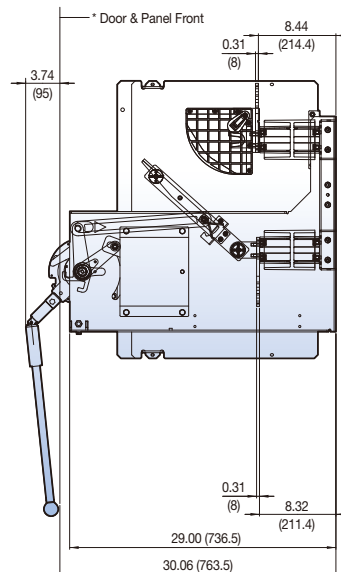
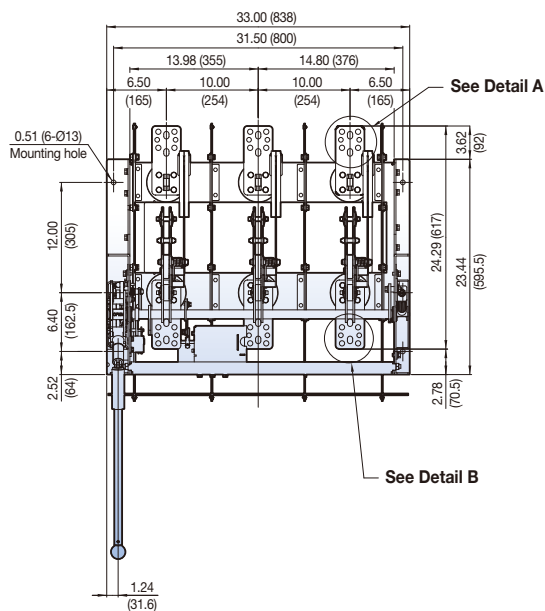
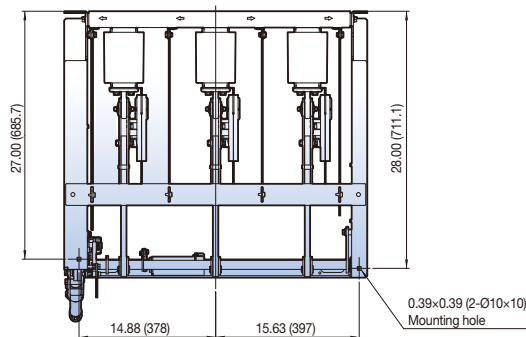
Load interrupter switch ULI-05/15 Upright type

Left operation

4.76/15 kV, 25/40 kA, 600/1200 A

Unit: inch(mm)

- ULI-05L25C06
- ULI-05L25C12
- ULI-05L40C06
- ULI-05L40C12
- ULI-15L25C06
- ULI-15L25C12
- ULI-15L40C06
- ULI-15L40C12

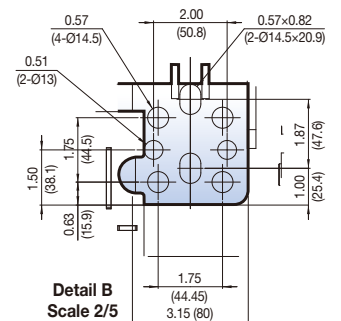
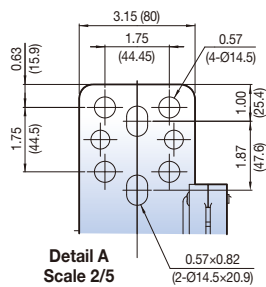
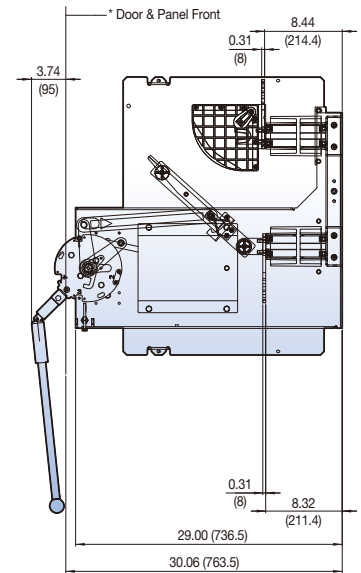
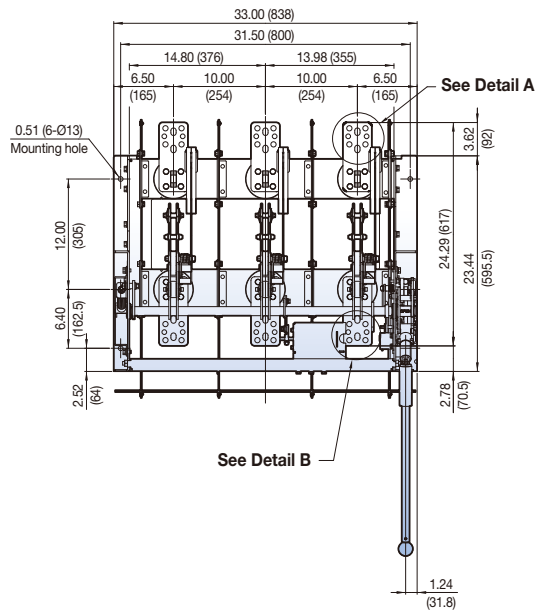
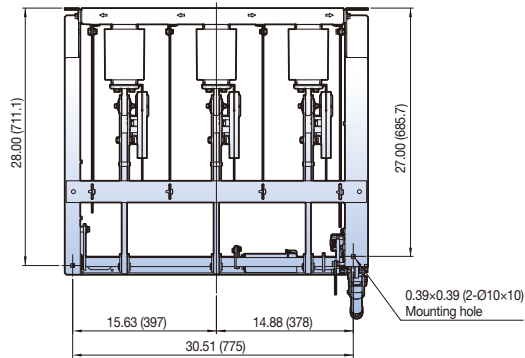


Right operation

4.76/15 kV, 25/40 kA, 600/1200 A

Unit: inch(mm)

- ULI-05R25C06
- ULI-05R25C12
- ULI-05R40C06
- ULI-05R40C12
- ULI-15R25C06
- ULI-15R25C12
- ULI-15R40C06
- ULI-15R40C12



Dimensions

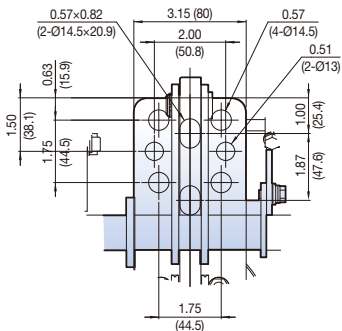
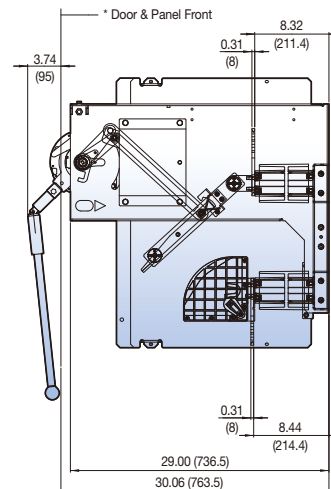
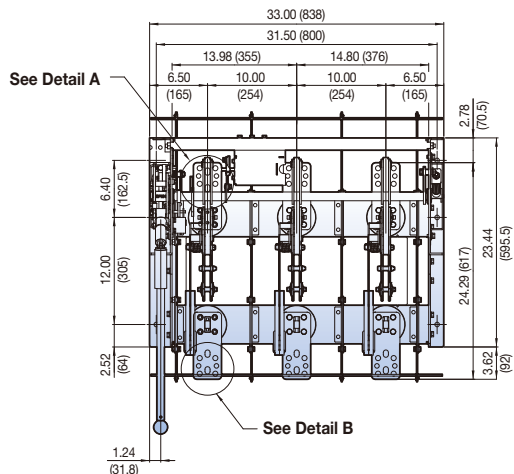
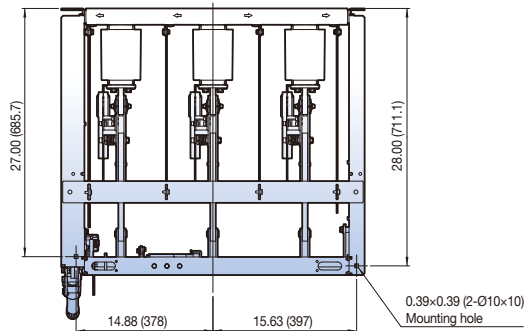
Load interrupter switch ULI-05/15 Inverted type

Left operation

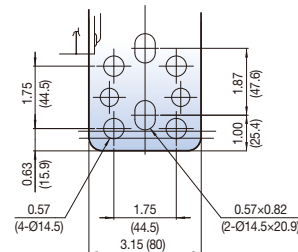
4.76/15 kV, 25/40 kA, 600/1200 A

Unit: inch(mm)

- ULI-05S25C06
- ULI-05S25C12
- ULI-05S40C06
- ULI-05S40C12
- ULI-15S25C06
- ULI-15S25C12
- ULI-15S40C06
- ULI-15S40C12



Detail A
Scale 2/5



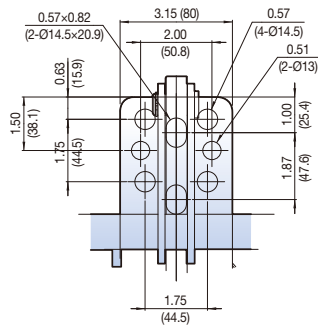
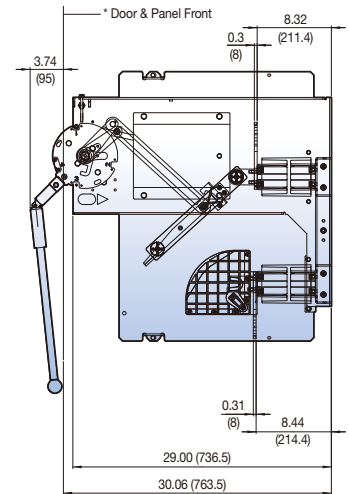
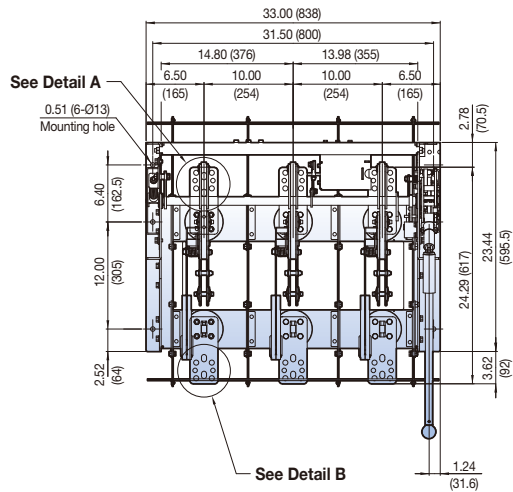
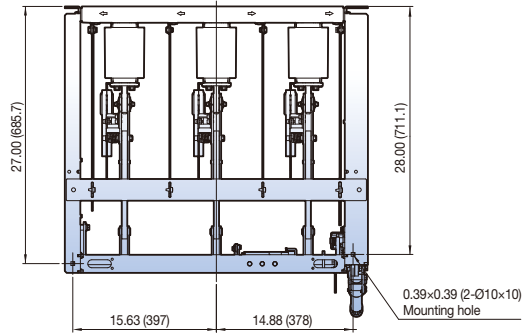
Detail B
Scale 2/5

Right operation

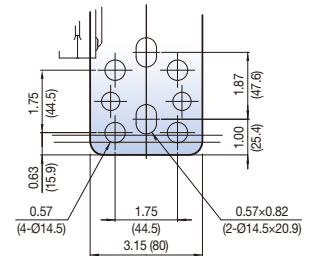
4.76/15 kV, 25/40 kA, 600/1200 A

Unit: inch(mm)

- ULI-05T25C06
- ULI-05T25C12
- ULI-05T40C06
- ULI-05T40C12
- ULI-15T25C06
- ULI-15T25C12
- ULI-15T40C06
- ULI-15T40C12



Detail A
Scale 2/5



Detail B
Scale 2/5

Dimensions

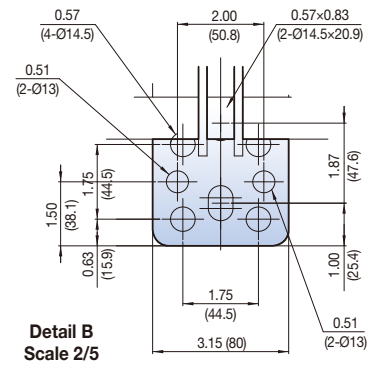
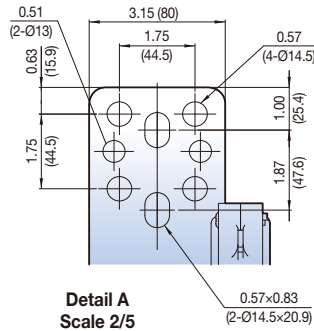
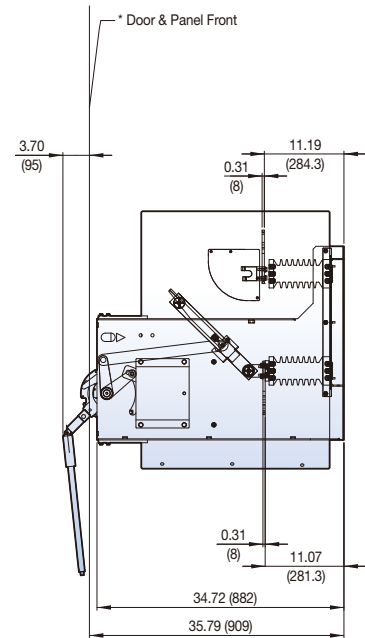
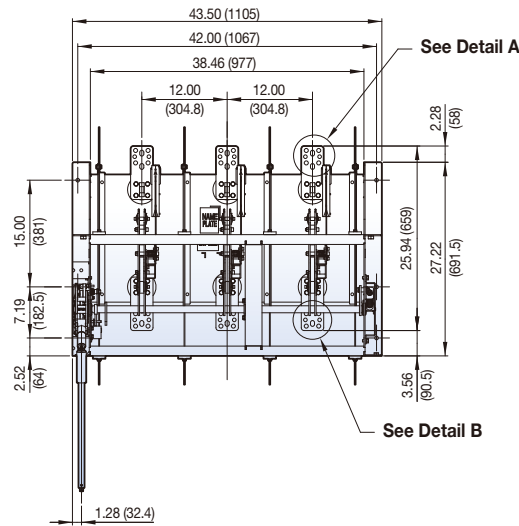
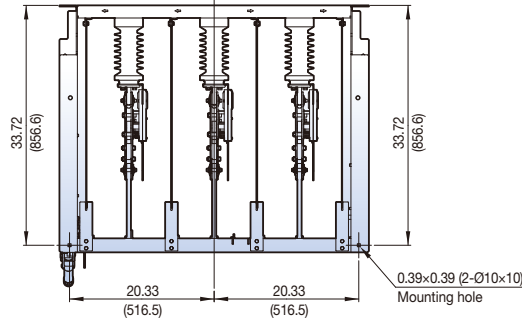
Load interrupter switch ULI-27/29 Upright type

Left operation

27/29 kV, 25/40 kA, 600/1200 A

Unit: inch(mm)

- ULI-27L25D06
- ULI-27L25D12
- ULI-27L40D06
- ULI-27L40D12
- ULI-29L25D06
- ULI-29L25D12
- ULI-29L40D06
- ULI-29L40D12

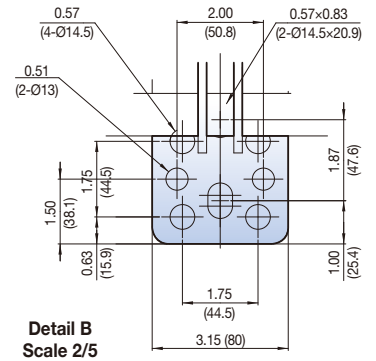
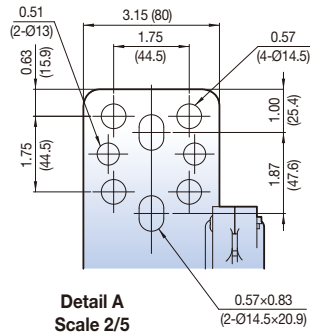
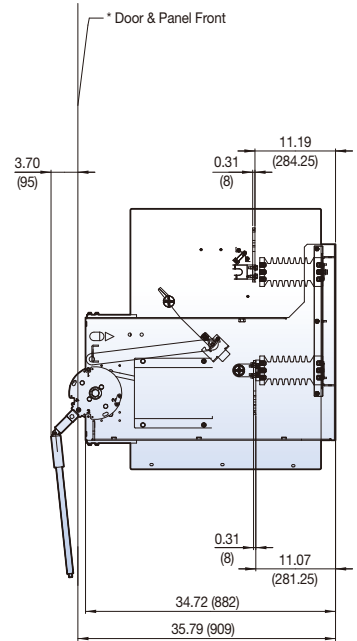
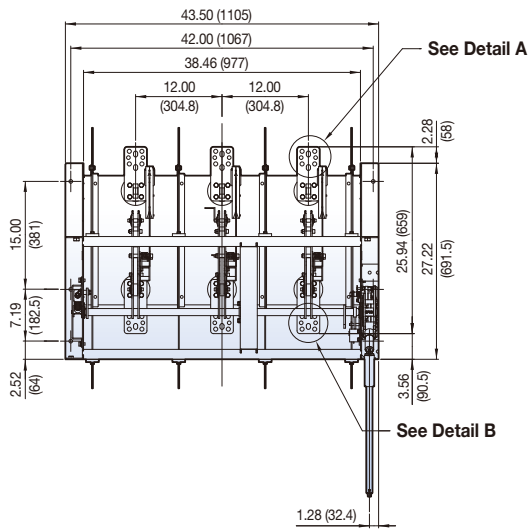
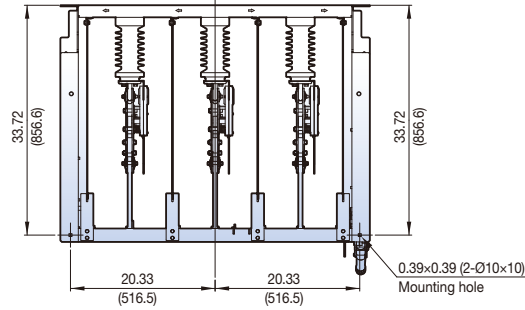


Right operation

- ULI-27R25D06
- ULI-27R25D12
- ULI-27R40D06
- ULI-27R40D12
- ULI-29R25D06
- ULI-29R25D12
- ULI-29R40D06
- ULI-29R40D12

27/29 kV, 25/40 kA, 600/1200 A

Unit: inch(mm)



Dimensions

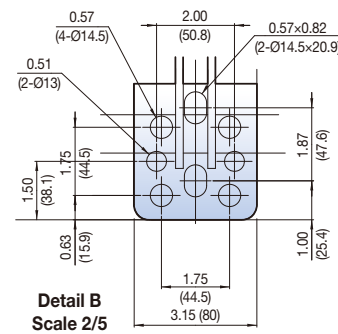
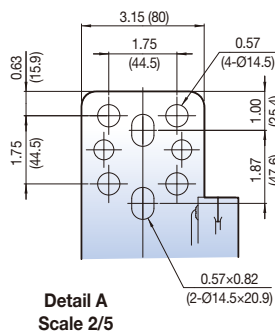
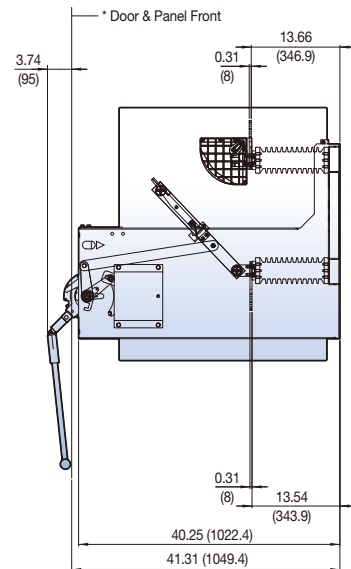
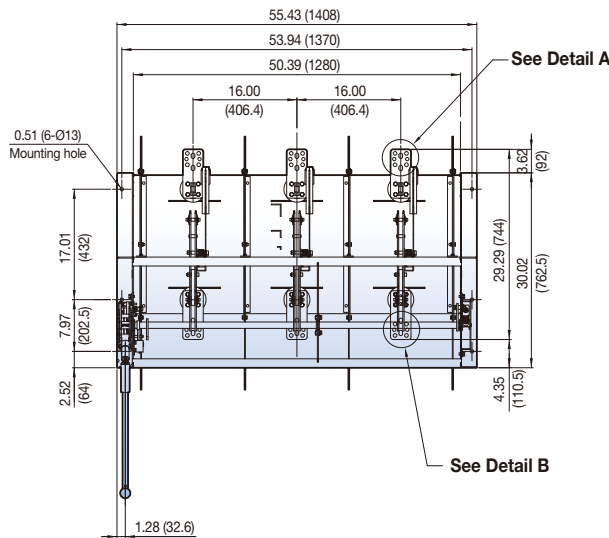
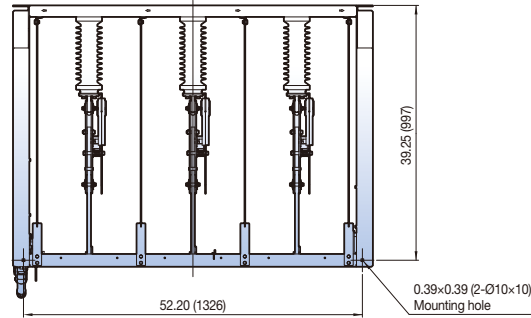
Load interrupter switch ULI-38 Upright type

Left operation

38 kV, 25/31.5 kA, 600/800 A

Unit: inch(mm)

- ULI-38L25E06
- ULI-38L32E06
- ULI-38L25E08
- ULI-38L32E08

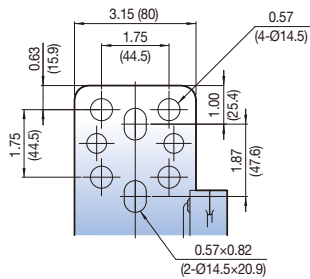
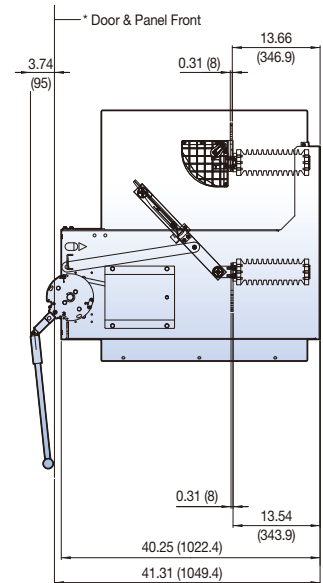
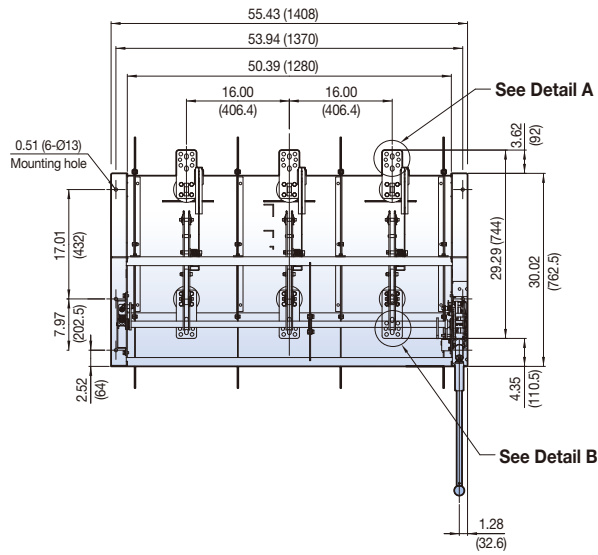
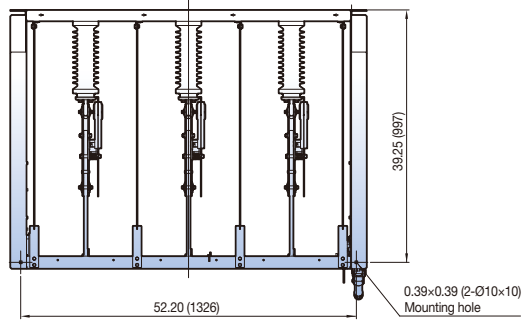


Right operation

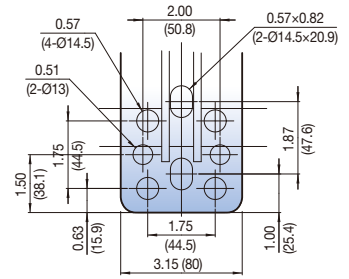
38 kV, 25/31.5 kA, 600/800 A

Unit: inch(mm)

- ULI-38R25E06
- ULI-38R32E06
- ULI-38R25E08
- ULI-38R32E08



Detail A
Scale 2/5



Detail B
Scale 2/5

Dimensions

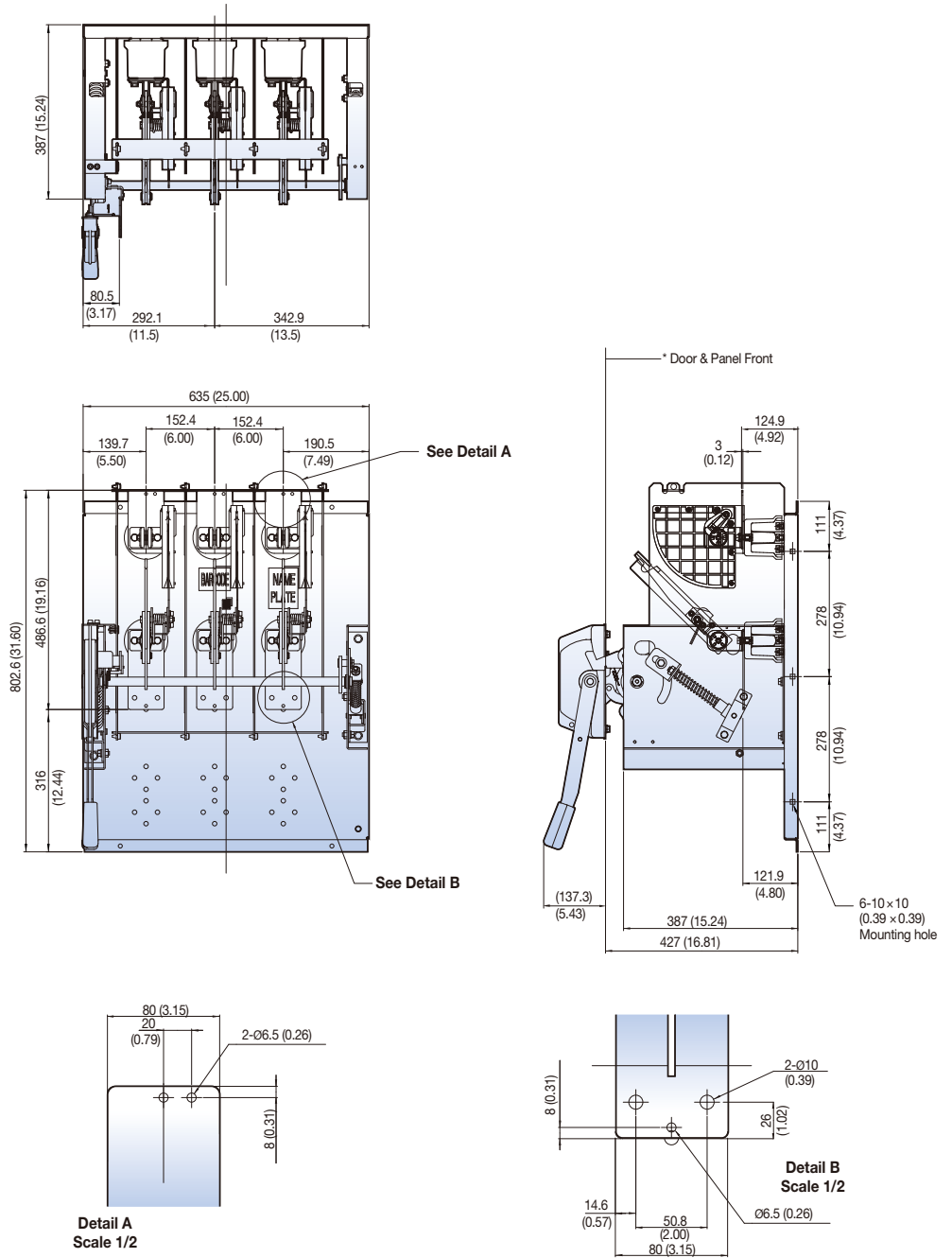
Load interrupter switch ULI-06 Upright type

Left operation

5.5 kV, 12.5 kA, 200 A

Unit: inch(mm)

ULI-06L13A02

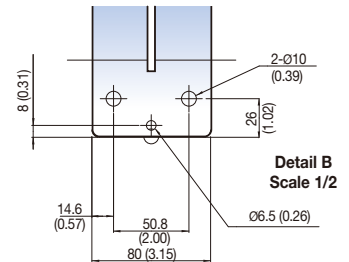
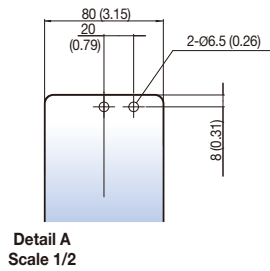
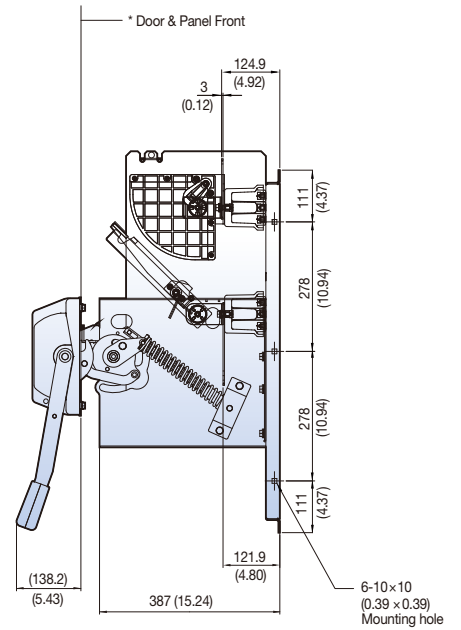
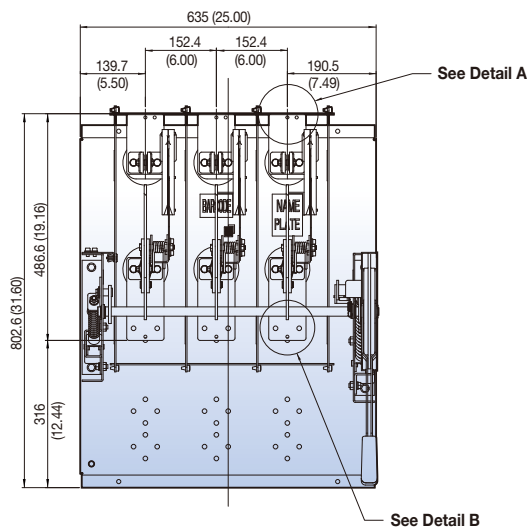
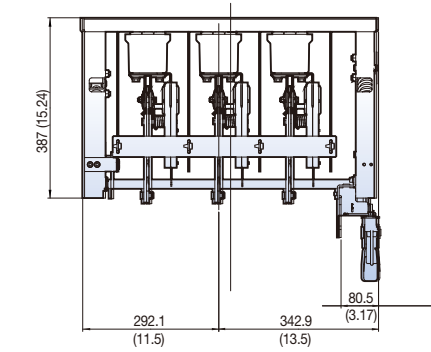


Right operation

ULI-06R13A02

5.5 kV, 12.5 kA, 200 A

Unit: inch(mm)



Dimensions

VT grounding switch

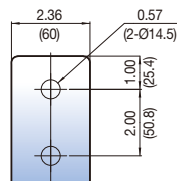
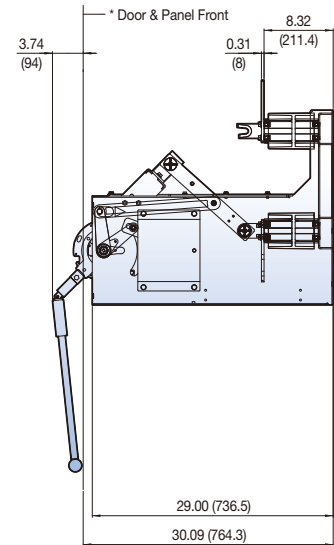
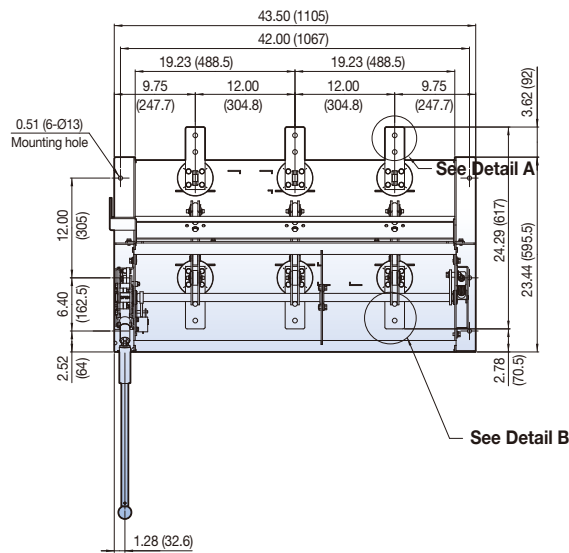
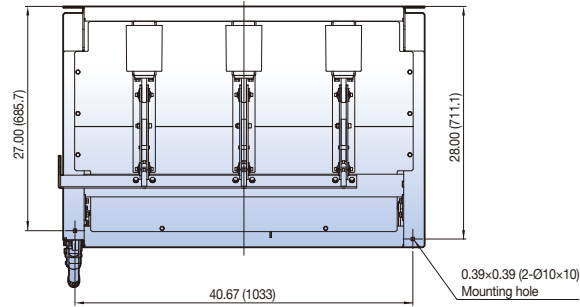
UGS-05/15 Upright type

Left operation

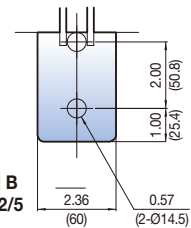
4.76/15 kV, 40 kA

Unit: inch(mm)

UGS-05L40D
UGS-15L40D



Detail A
Scale 2/5



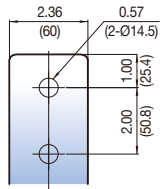
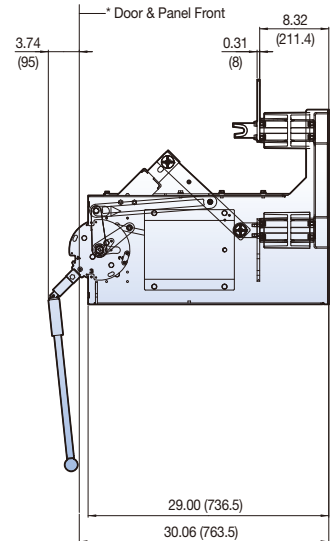
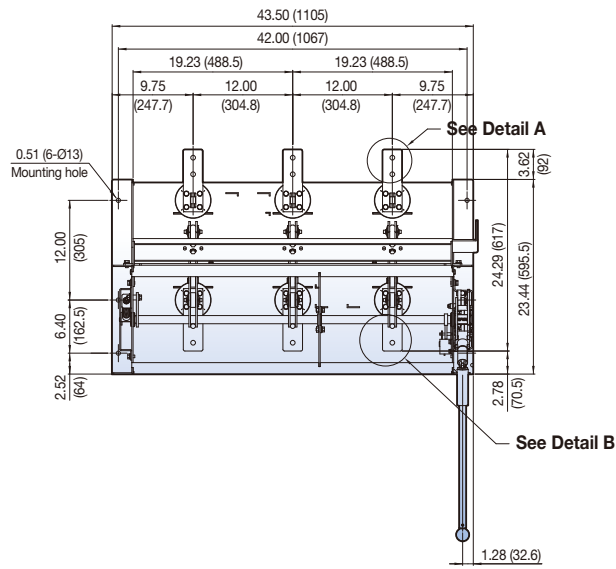
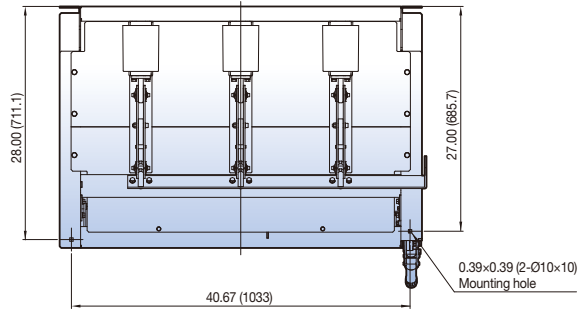
Detail B
Scale 2/5

Right operation

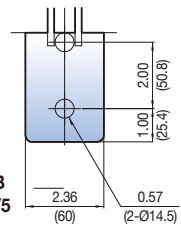
4.76/15 kV, 40 kA

Unit: inch(mm)

UGS-05R40D
UGS-15R40D



Detail A
Scale 2/5



Detail B
Scale 2/5

Dimensions

VT grounding switch

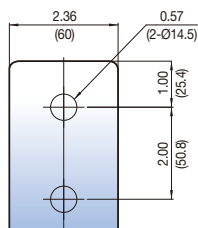
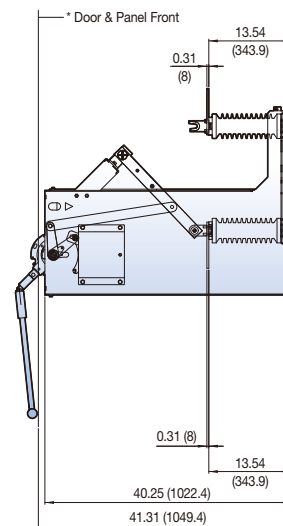
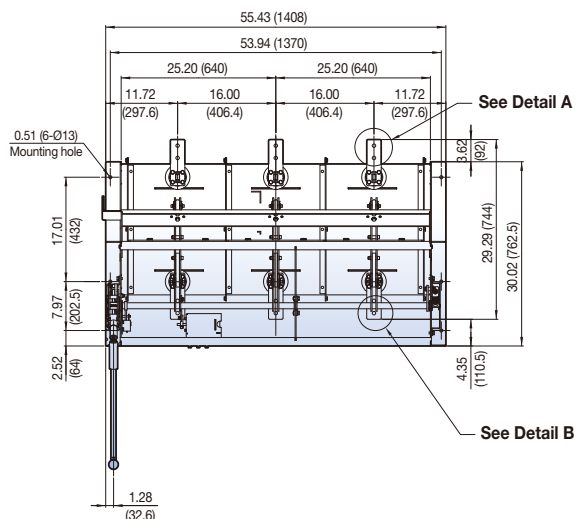
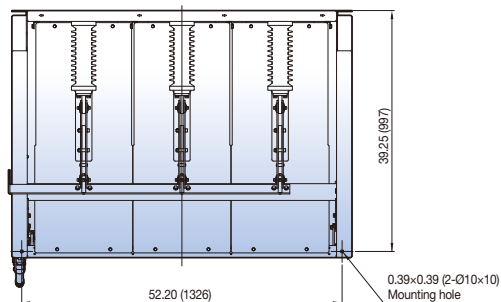
UGS-27 Upright type

Left operation

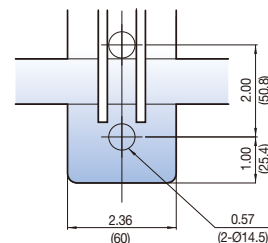
27 kV, 40 kA

Unit: inch(mm)

UGS-27L40E



Detail A
Scale 1/2



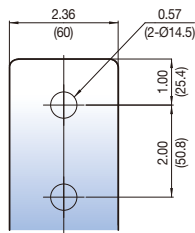
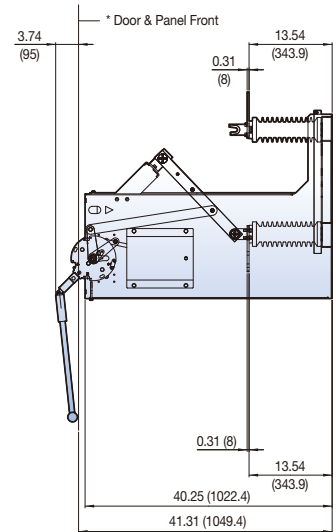
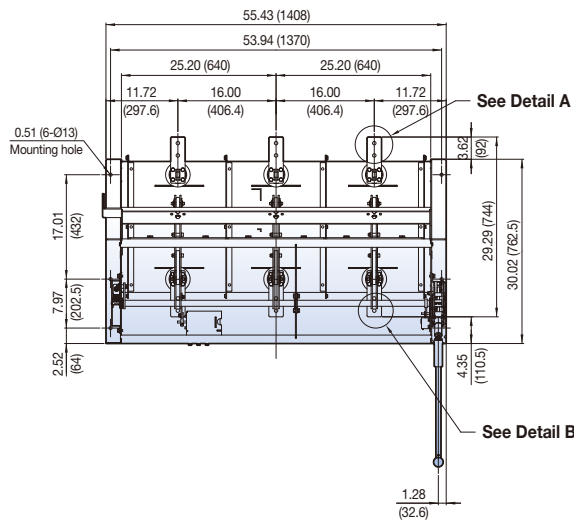
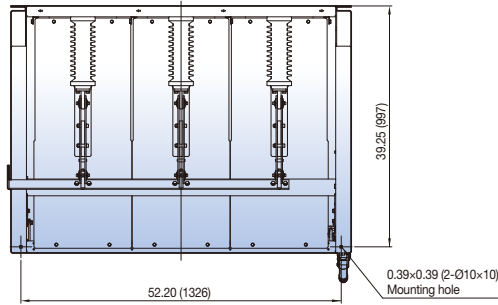
Detail B
Scale 1/2

Right operation

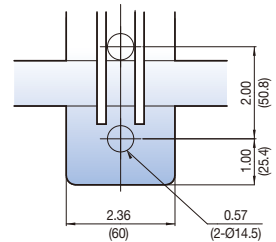
27 kV, 40 kA

Unit: inch(mm)

UGS-27R40E



Detail A
Scale 1/2



Detail B
Scale 1/2

Dimensions

VT grounding switch

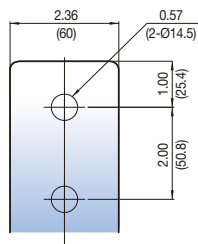
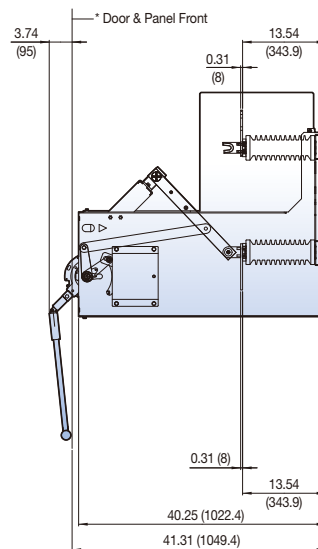
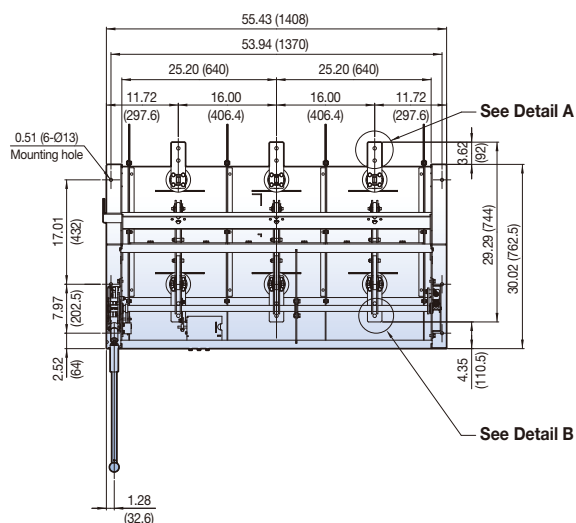
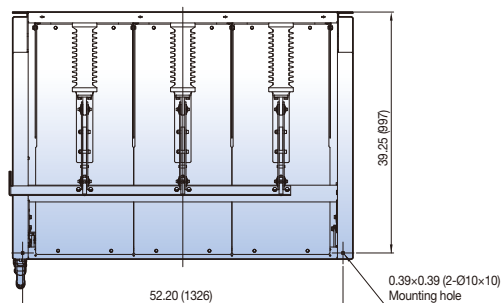
UGS-38 Upright type

Left operation

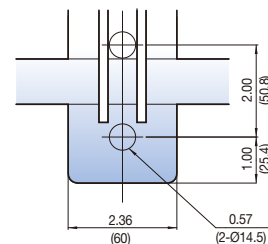
38 kV, 40 kA

Unit: inch(mm)

UGS-38L40E



Detail A
Scale 1/2



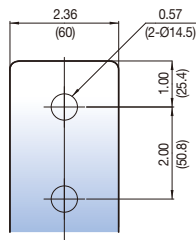
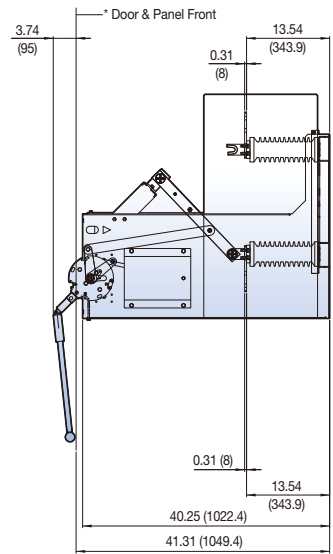
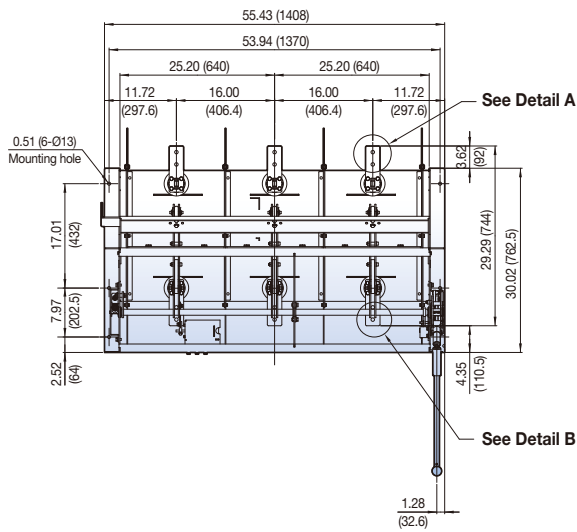
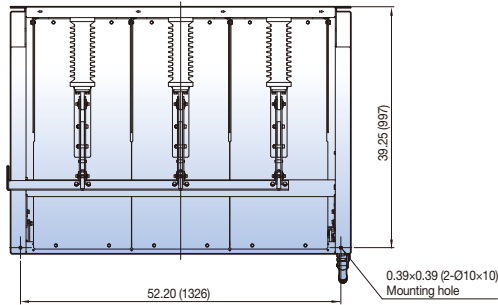
Detail B
Scale 1/2

Right operation

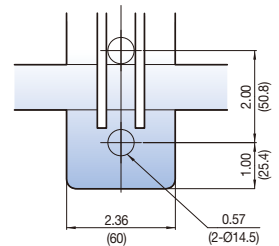
38 kV, 40 kA

Unit: inch(mm)

UGS-38R40E



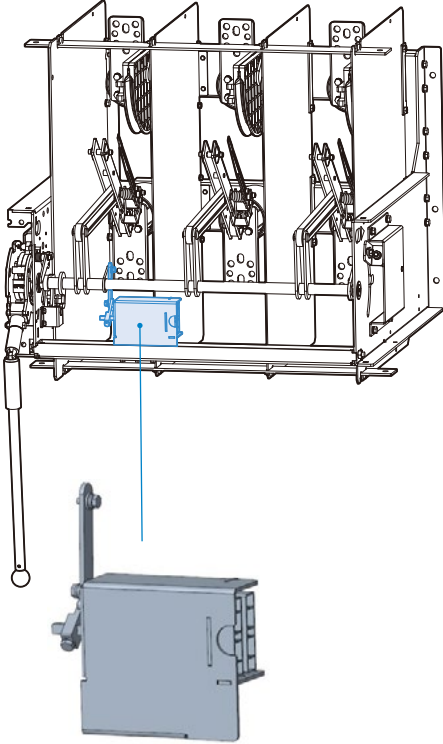
Detail A
Scale 1/2



Detail B
Scale 1/2

Accessories

Auxiliary switch



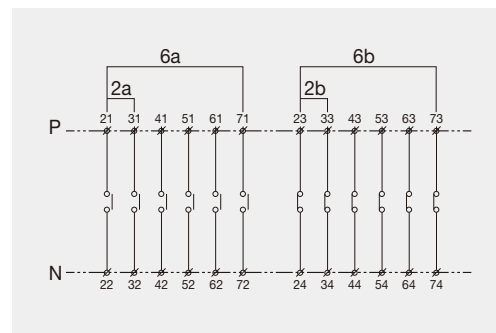
- The load interrupter switch can be equipped with a rotary type switch that allows remote monitoring of the “Closed” or “Open” status.
- Two types of auxiliary switches are available: 2a2b and 6a6b.
- The aux switch codes below are for customers purchasing the LI switch without the aux switch or upgrading/downgrading the aux switch.
- Use the item codes in the table below when purchasing the auxiliary switch.

Description	Type	Ordering code	Notes
Aux 2a2b with lead wire	Upright type	62503182009	
	Inverted type	62503182011	
Aux 6a6b with lead wire	Upright type	62503182008	
	Inverted type	62503182010	
Aux 2a2b (Aux switch only)	Upright type	62503182013	
	Inverted type	62503182015	User jack included
Aux 6a6b (Aux switch only)	Upright type	62503182012	
	Inverted type	62503182014	
User jack	Connector (Terminal kit without wire)	77023182007	User jack only

* Auxiliary Switch: Not applicable to 5.5 kV 12.5 kA 200 A LIS.

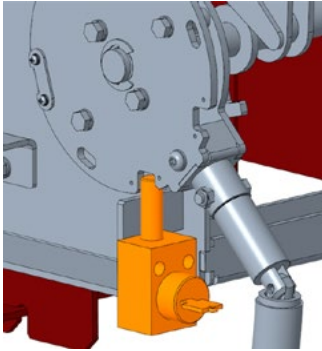


User jack



Wire diagram

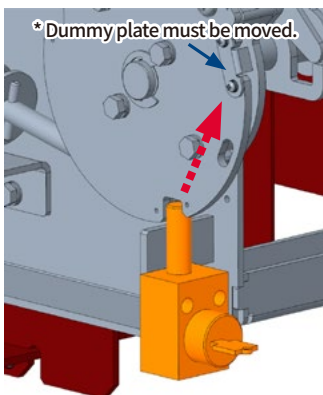
Key lock(Kirk key)



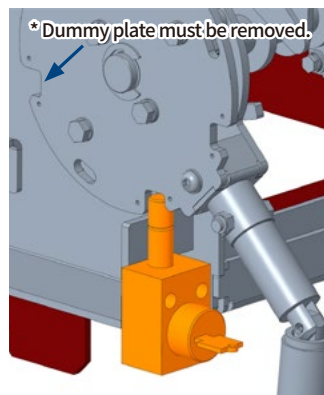
Key lock in "OPEN" position

- The key lock accessory prevents unwanted operation of the device by mechanically locking it until the keylock is unlocked. (The key is not included)
- Once the key lock is engaged, the device cannot be opened or closed without the key.
- A maximum of two key locks can be applied.
- They key lock (Kirk key) cannot be used with the Power Operated KIT.

Kirk key part number
KFL010010T

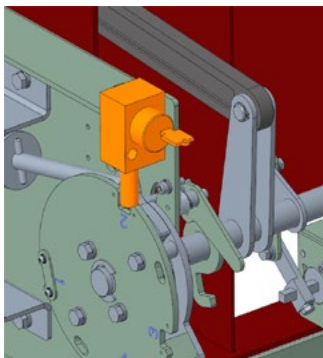


Key lock in "CLOSE" position

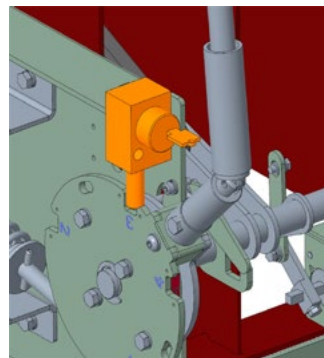


Key lock in "BOTH" positions

- The key lock can be used in either a single position (OPEN or CLOSE) or in both positions (OPEN and CLOSE).
- By default, the key lock is installed for use in the OPEN position. It can be used in the CLOSE position by moving the dummy plate.
- To enable key lock functionality in both the OPEN and CLOSE positions, remove the dummy plate For more details, please refer to the user manual.



2nd key lock used in "OPEN" position

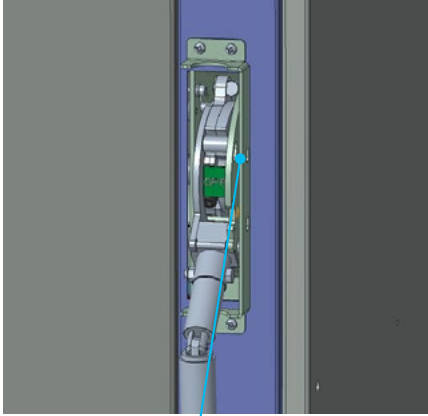


2nd key lock used in "CLOSE" position

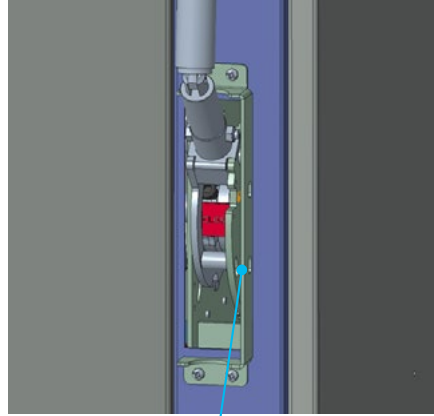
- The 2nd key lock is provided for use in both positions (OPEN and CLOSE).
- The dummy plate for the 2nd key locks is not provided with.

Accessories

Padlock



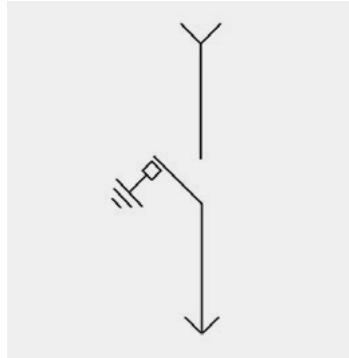
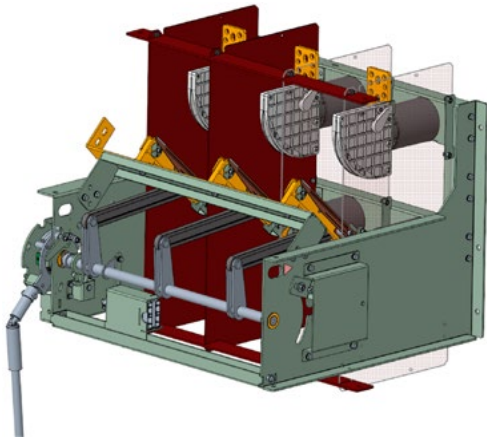
Padlock in open position



Padlock in close position

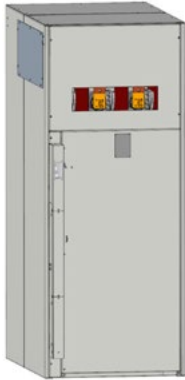
- The padlock accessory prevents unwanted operation and tampering, while increasing security.
- The key lock is not included (hole size: 10mm × 14mm).
- The additional bracket for padlock is included with the LI Switch product and must be installed on the SWGR to enable the padlock application.

Grounding option in open position



- An additional feature for the LIS includes grounding option for automatic grounding. When the switch is in the open position, the switch's main blades connect with the grounding to ground.
- This feature is designed to provide a static ground and is not intended to carry fault currents.
- **This feature is not compatible with duplex switch configuration.**

Power operated kit



- The Power Operated KIT is a convenient accessory that converts the manual-type load interrupter switch to a motorized type. The Power Operated KIT is installed in front of the switchgear, enabling the switch to be opened and closed by an electric motor.
- The Power Operated KIT has four types of control voltages, which includes position S/W (2a2b).
- LS ELECTRIC's manual-type load interrupter switchgear can be upgraded to a motorized type by assembling the Power Operation Kit with the switchgear.
- Power Operated KIT cannot be used with key Lock(Kirk key).

Ratings

Control voltage	(V)	DC125	DC250	AC120	AC240
Voltage range	(V)	100 – 140	200 – 280	104 – 127	208 – 254
Steady current	(A)	≤2.5	≤1.5	≤2.5	≤1.5
Inrush current	(A)	≤12.5	≤7.5	≤12.5	≤7.5
Operating time	(s)			≤10	

Position switch diagram

Power operator position	Close position switch [2a]	Open position switch [2a]
LIS Close		
On Operation		
LIS Open		

Item codes

Ordering code	Description
72313182005	TOTAL ASS'Y, POWER, OPERATED, DC125, PO, LIS
72313182006 *	TOTAL ASS'Y, POWER, OPERATED, DC250, PO, LIS
72313182007	TOTAL ASS'Y, POWER, OPERATED, AC120, PO, LIS
72313182008	TOTAL ASS'Y, POWER, OPERATED, AC240, PO, LIS

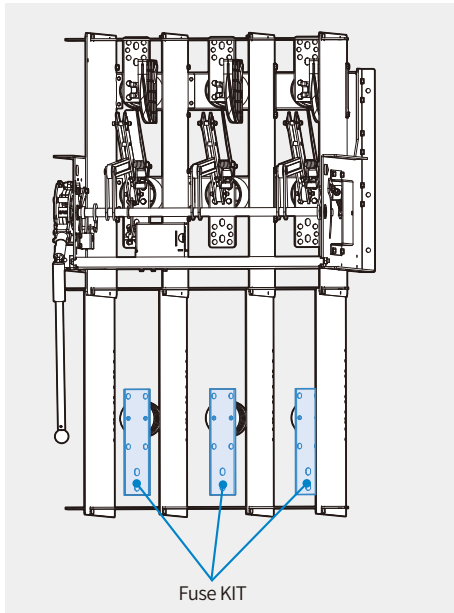
* The DC250V motorized kit is excluded from UL certification list.

Accessories

Fuse KIT (Fuse terminal kit)

- The kit includes a copper terminal with pre-drilled holes for attaching a fuse clip (not included), and an insulator for assembly to the SWGR.
- The Fuse Kit comes with three sets of terminal and insulator assembly parts.

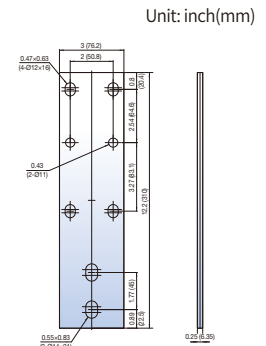
ULI-05/15



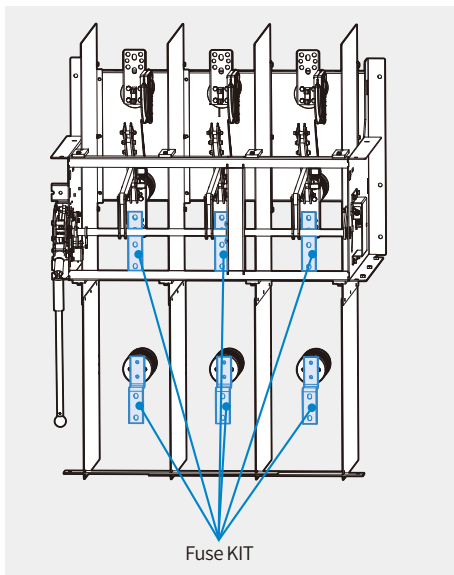
4.76 / 15 kV

Ordering code
67923182004

- Applicable fuse list *
 - Mersen 9F60 series
 - Mersen CS-3 series
 - Mersen Amp-Trap Bolt-In series
- * Check the fuse terminal diagram on the right side of this page.



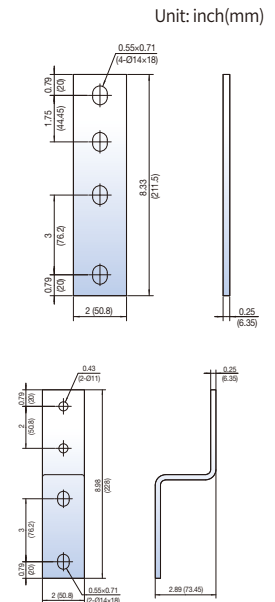
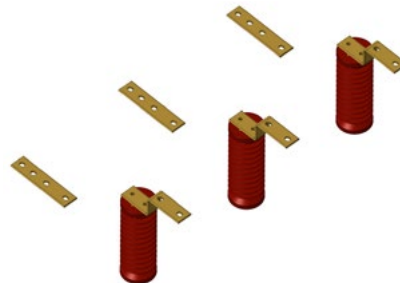
ULI-27/29



27 / 29 kV

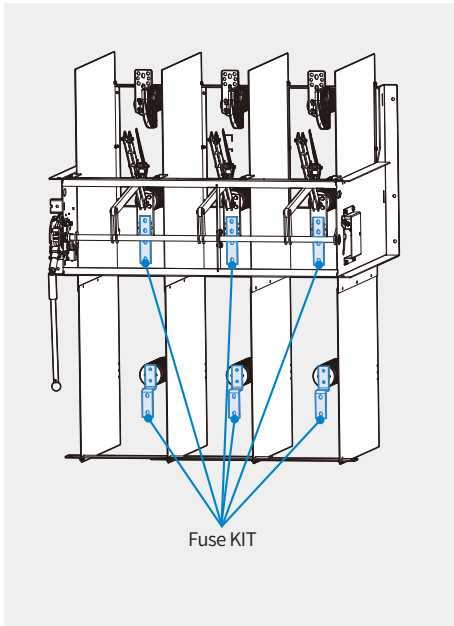
Ordering code
67923182010

- Applicable fuse list
 - Mersen 9F60 series



Fuse KIT(Fuse terminal Kit)

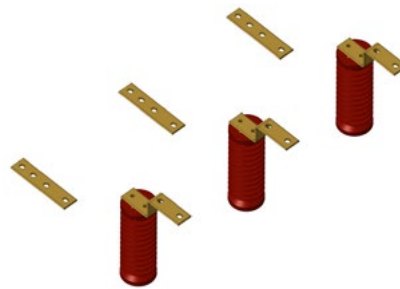
ULI-38



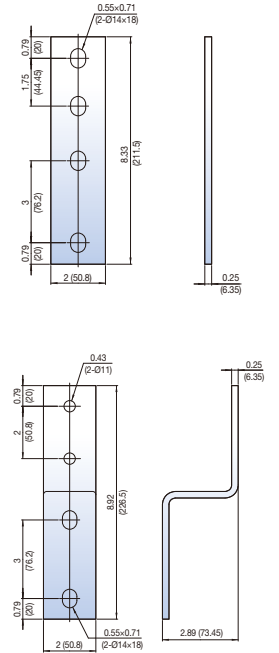
38 kV

Ordering code
67923182007

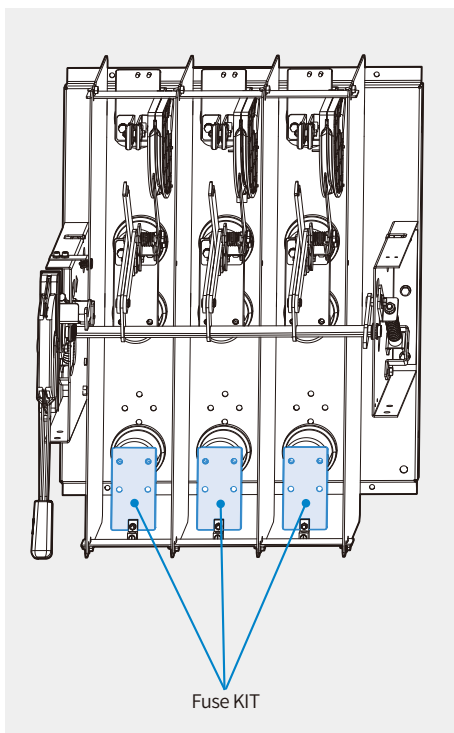
- Applicable fuse list
- Mersen 9F60 series



Unit: inch(mm)



ULI-06



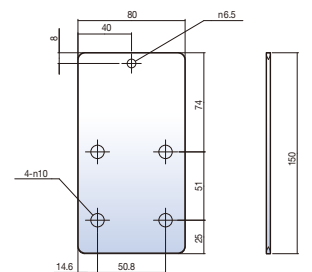
5.5 kV

Ordering code	Description
67923182013	INSULATOR ASS'Y, FUSE TERMINAL SET, 5.5 kV, LIS, PACKAGING

- Applicable fuse list
- Mersen CS-3 Series, 1-barrel fuses only.



Unit: inch(mm)



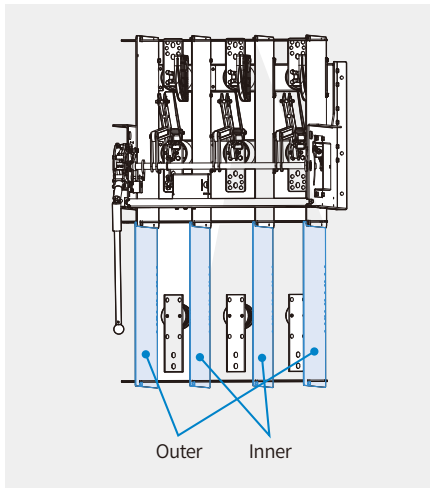
Accessories

Phase to phase and phase to ground barrier

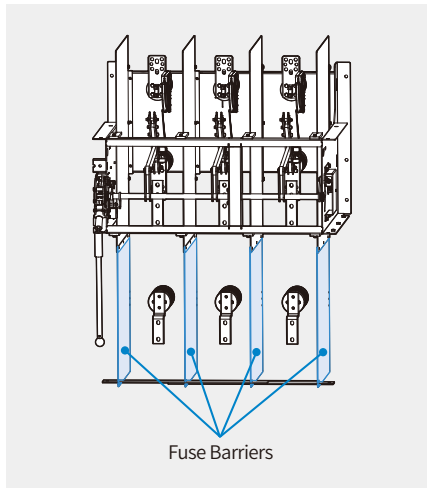
- This is a full-sized phase-to-phase and phase-to-ground barrier designed for installation between fuses, as well as between the fuses and the grounded enclosure. It comes with four sets of barriers and assembly parts.
- The components connect to the load interrupter switch barrier during installation.
- Assembly bolts are not included.

LIS rating	Ordering code
4.76 / 15 kV	67223182004
27 / 29 kV	67223182015
38 kV	67223182008

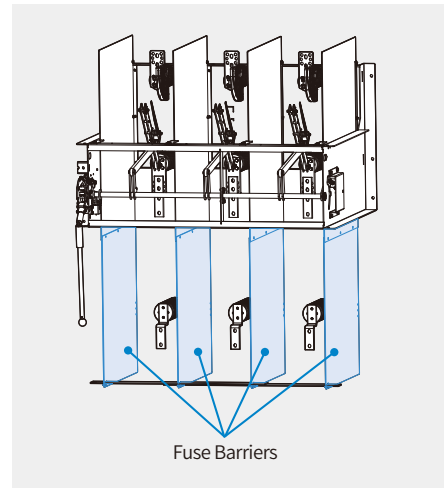
ULI-5/15 4.76 / 15 kV



ULI-27/29 27 / 29 kV

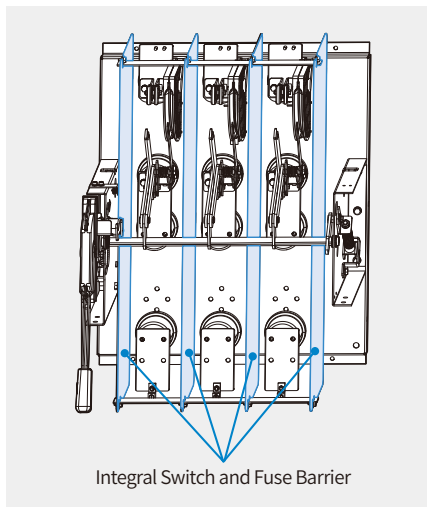
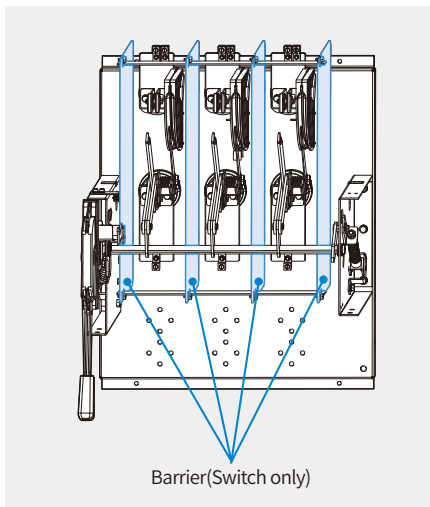


ULI-38 38 kV



ULI-06 5.5 kV

LIS rating	Type	Odering code	Description
5.5 kV	Switch only	67223182017	BARRIER ASS'Y, 5.5 kV, 12.5 kA, LIS, PACKAGING
5.5 kV	Integral Switch and Fuse	67223182018	BARRIER ASS'Y, FUSE, 5.5k V, 12.5 kA, LIS, PACKAGING



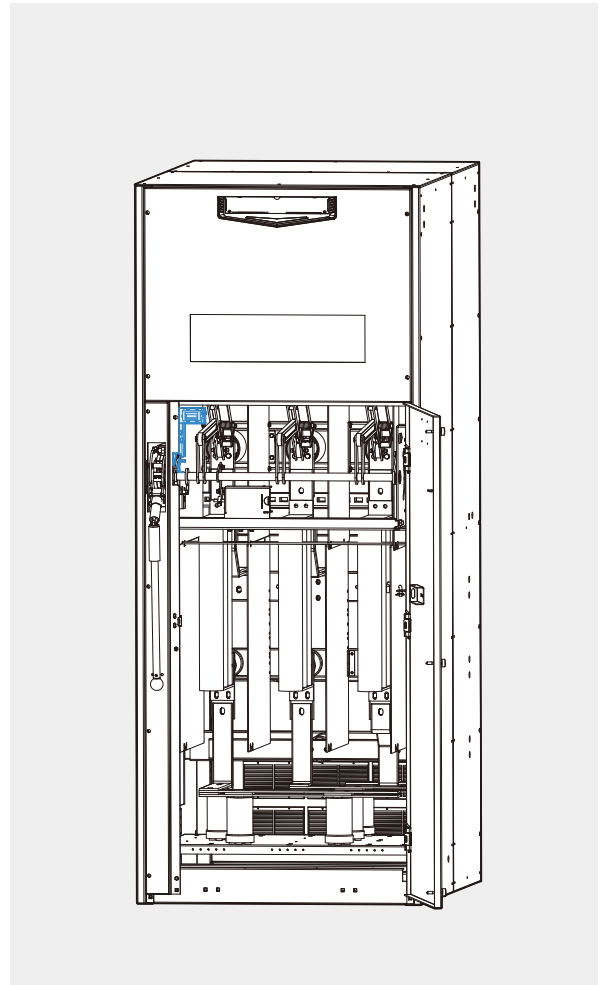
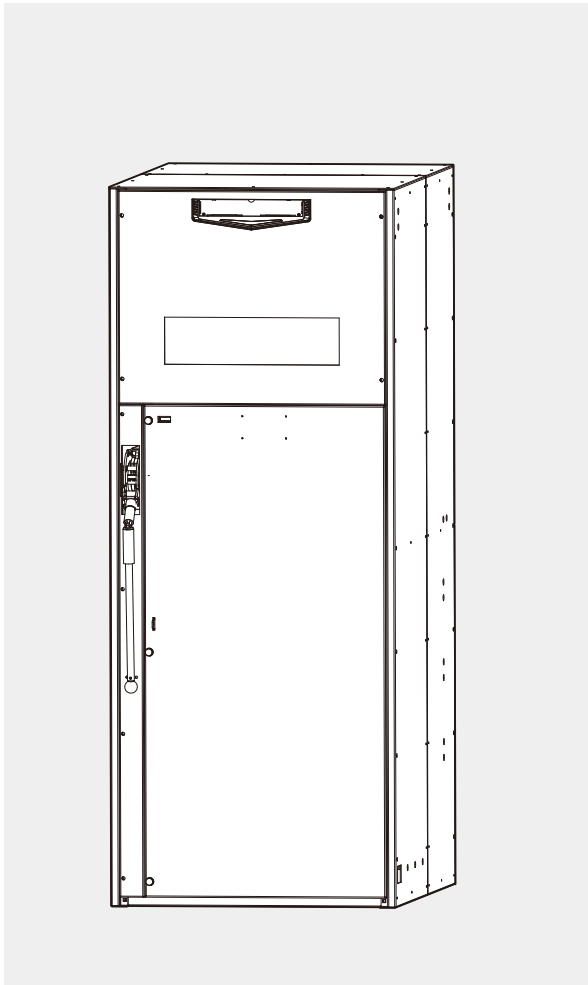
Mechanical counter (Non-resettable)

Our LI switch is equipped with a mechanical counter designed to effortlessly track and manage the cycle lifespan. The mechanical counter provides the following features:

- **Precise Recording:** With robust mechanical design, each operating cycle is accurately logged. A count is registered for every C-O (Close-Open) operation, supporting precise data collection.
- **Ease of Use:** Features intuitive numerical display, allowing users to easily check current operation counts and enabling simple installation. Through a viewing window on the switchgear door, users can check the operation counts from outside the panel.

Type	Ordering code	Description
Left operation	51873182001	COUNTER ASS'Y, NRS-5, LH, LIS
Right operation	51873182002	COUNTER ASS'Y, NRS-5, RH, LIS

* Mechanical Counter: Not applicable to 5.5 kV 12.5 kA 200 A LIS.



Ordering codes

Code list – Load interrupter switch

Upright type

Operation type	Max. voltage	Fault making current		Phase distance	Rate current	Option*	Item code	Description
		Symmetrical	Assymetrical			G		
L (Left operation)	4.76 kV	25 kA	40 kA	C.(10")	600 A		70070021VE	ULI-05L25C06 EXPS
						●	70070101VE	ULI-05L25C06-G EXPS
		25 kA	40 kA	C.(10")	1200 A		70070022VE	ULI-05L25C12 EXPS
						●	70070102VE	ULI-05L25C12-G EXPS
		40 kA	64 kA	C.(10")	600 A		70070019VE	ULI-05L40C06 EXPS
						●	70070099VE	ULI-05L40C06-G EXPS
	40 kA	64 kA	C.(10")	1200 A		70070020VE	ULI-05L40C12 EXPS	
					●	70070100VE	ULI-05L40C12-G EXPS	
	15 kV	25 kA	40 kA	C.(10")	600A		70080021VE	ULI-15L25C06 EXPS
						●	70080101VE	ULI-15L25C06-G EXPS
		25 kA	40 kA	C.(10")	1200 A		70080022VE	ULI-15L25C12 EXPS
						●	70080102VE	ULI-15L25C12-G EXPS
40 kA		64 kA	C.(10")	600 A		70080019VE	ULI-15L40C06 EXPS	
					●	70080099VE	ULI-15L40C06-G EXPS	
40 kA	64 kA	C.(10")	1200 A		70080020VE	ULI-15L40C12 EXPS		
				●	70080100VE	ULI-15L40C12-G EXPS		
27 kV	25 kA	40 kA	D.(12")	600 A		80050000VE	ULI-27L25D06 EXPS	
					●	80050008VE	ULI-27L25D06-G EXPS	
	25 kA	40 kA	D.(12")	1200 A		80050001VE	ULI-27L25D12 EXPS	
					●	80050009VE	ULI-27L25D12-G EXPS	
	40 kA	64 kA	D.(12")	600 A		80050002VE	ULI-27L40D06 EXPS	
					●	80050010VE	ULI-27L40D06-G EXPS	
40 kA	64 kA	D.(12")	1200 A		80050003VE	ULI-27L40D12 EXPS		
				●	80050011VE	ULI-27L40D12-G EXPS		
29 kV	25 kA	40 kA	D.(12")	600 A		80070000VE	ULI-29L25D06 EXPS	
					●	80070008VE	ULI-29L25D06-G EXPS	
	25 kA	40 kA	D.(12")	1200 A		80070001VE	ULI-29L25D12 EXPS	
					●	80070009VE	ULI-29L25D12-G EXPS	
	40 kA	64 kA	D.(12")	600 A		80070002VE	ULI-29L40D06 EXPS	
					●	80070010VE	ULI-29L40D06-G EXPS	
40 kA	64 kA	D.(12")	1200 A		80070003VE	ULI-29L40D12 EXPS		
				●	80070011VE	ULI-29L40D12-G EXPS		
38 kV	25 kA	40 kA	E.(16")	600 A		80020003VE	ULI-38L25E06 EXPS	
					●	80020007VE	ULI-38L25E06-G EXPS	
	25 kA	40 kA	E.(16")	800 A		80020012VE	ULI-38L25E08 EXPS	
					●	80020016VE	ULI-38L25E08-G EXPS	
	31.5 kA	50.4 kA	E.(16")	600 A		80020004VE	ULI-38L32E06 EXPS	
					●	80020008VE	ULI-38L32E06-G EXPS	
31.5 kA	50.4 kA	E.(16")	800 A		80020013VE	ULI-38L32E08 EXPS		
				●	80020017VE	ULI-38L32E08-G EXPS		
5.5 kA	12.5 kA	20 kA	A.(6")	200 A		80100002VE	ULI-06L13A02 EXPS	

* G: Grounding option in open position

Upright type

Operation type	Max. Voltage	Fault making current		Phase distance	Rate current	Option*	Item code	Description
		Symmetrical	Assymetrical			G		
R (Right operation)	4.76 kV	25 kA	40 kA	C.(10")	600 A	●	70070025VE	ULI-05R25C06 EXPS
						●	70070105VE	ULI-05R25C06-G EXPS
		25 kA	40 kA	C.(10")	1200 A	●	70070026VE	ULI-05R25C12 EXPS
						●	70070106VE	ULI-05R25C12-G EXPS
		40 kA	64 kA	C.(10")	600 A	●	70070023VE	ULI-05R40C06 EXPS
						●	70070103VE	ULI-05R40C06-G EXPS
	40 kA	64 kA	C.(10")	1200 A	●	70070024VE	ULI-05R40C12 EXPS	
					●	70070104VE	ULI-05R40C12-G EXPS	
	15 kV	25 kA	40 kA	C.(10")	600 A	●	70080025VE	ULI-15R25C06 EXPS
						●	70080105VE	ULI-15R25C06-G EXPS
		25 kA	40 kA	C.(10")	1200 A	●	70080026VE	ULI-15R25C12 EXPS
						●	70080106VE	ULI-15R25C12-G EXPS
		40 kA	64 kA	C.(10")	600 A	●	70080023VE	ULI-15R40C06 EXPS
						●	70080103VE	ULI-15R40C06-G EXPS
	40 kA	64 kA	C.(10")	1200 A	●	70080024VE	ULI-15R40C12 EXPS	
					●	70080104VE	ULI-15R40C12-G EXPS	
	27 kV	25 kA	40 kA	D.(12")	600 A	●	80050004VE	ULI-27R25D06 EXPS
						●	80050012VE	ULI-27R25D06-G EXPS
		25 kA	40 kA	D.(12")	1200 A	●	80050005VE	ULI-27R25D12 EXPS
						●	80050013VE	ULI-27R25D12-G EXPS
		40 kA	64 kA	D.(12")	600 A	●	80050006VE	ULI-27R40D06 EXPS
						●	80050014VE	ULI-27R40D06-G EXPS
	40 kA	64 kA	D.(12")	1200 A	●	80050007VE	ULI-27R40D12 EXPS	
					●	80050015VE	ULI-27R40D12-G EXPS	
29 kV	25 kA	40 kA	D.(12")	600 A	●	80070004VE	ULI-29R25D06 EXPS	
					●	80070012VE	ULI-29R25D06-G EXPS	
	25 kA	40 kA	D.(12")	1200 A	●	80070005VE	ULI-29R25D12 EXPS	
					●	80070013VE	ULI-29R25D12-G EXPS	
	40 kA	64 kA	D.(12")	600 A	●	80070006VE	ULI-29R40D06 EXPS	
					●	80070014VE	ULI-29R40D06-G EXPS	
40 kA	64 kA	D.(12")	1200 A	●	80070007VE	ULI-29R40D12 EXPS		
				●	80070015VE	ULI-29R40D12-G EXPS		
38 kV	25 kA	40 kA	E.(16")	600A	●	80020005VE	ULI-38R25E06 EXPS	
					●	80020009VE	ULI-38R25E06-G EXPS	
	25 kA	40 kA	E.(16")	800 A	●	80020014VE	ULI-38R25E08 EXPS	
					●	80020018VE	ULI-38R25E08-G EXPS	
	31.5 kA	50.4 kA	E.(16")	600 A	●	80020006VE	ULI-38R32E06 EXPS	
					●	80020010VE	ULI-38R32E06-G EXPS	
31.5 kA	50.4 kA	E.(16")	800 A	●	80020015VE	ULI-38R32E08 EXPS		
				●	80020019VE	ULI-38R32E08-G EXPS		
5.5 kA	12.5 kA	20 kA	A.(6")	200 A	●	80100001VE	ULI-06R13A02 EXPS	

* G: Grounding option in open position

Ordering codes

Code list – Load interrupter switch

Inverted type

Operation type	Max. voltage	Fault making current		Phase distance	Rate current	Option	Item code	Description
		Symmetrical	Assymetrical			G		
S (Left operation)	4.76 kV	25 kA	40 kA	C.(10")	600 A		70070029VE	ULI-05S25C06 EXPS
						●	70070109VE	ULI-05S25C06-G EXPS
		25 kA	40 kA	C.(10")	1200 A		70070030VE	ULI-05S25C12 EXPS
						●	70070110VE	ULI-05S25C12-G EXPS
		40 kA	64 kA	C.(10")	600 A		70070027VE	ULI-05S40C06 EXPS
						●	70070107VE	ULI-05S40C06-G EXPS
	40 kA	64 kA	C.(10")	1200 A		70070028VE	ULI-05S40C12 EXPS	
					●	70070108VE	ULI-05S40C12-G EXPS	
	15 kV	25 kA	40 kA	C.(10")	600 A		70080029VE	ULI-15S25C06 EXPS
						●	70080109VE	ULI-15S25C06-G EXPS
		25 kA	40 kA	C.(10")	1200 A		70080030VE	ULI-15S25C12 EXPS
						●	70080110VE	ULI-15S25C12-G EXPS
		40 kA	64 kA	C.(10")	600 A		70080027VE	ULI-15S40C06 EXPS
						●	70080107VE	ULI-15S40C06-G EXPS
	40 kA	64 kA	C.(10")	1200 A		70080028VE	ULI-15S40C12 EXPS	
					●	70080108VE	ULI-15S40C12-G EXPS	
T (Right operation)	4.76 kV	25 kA	40 kA	C.(10")	600 A		70070033VE	ULI-05T25C06 EXPS
						●	70070113VE	ULI-05T25C06-G EXPS
		25 kA	40 kA	C.(10")	1200 A		70070034VE	ULI-05T25C12 EXPS
						●	70070114VE	ULI-05T25C12-G EXPS
		40 kA	64 kA	C.(10")	600 A		70070031VE	ULI-05T40C06 EXPS
						●	70070111VE	ULI-05T40C06-G EXPS
	40 kA	64 kA	C.(10")	1200 A		70070032VE	ULI-05T40C12 EXPS	
					●	70070112VE	ULI-05T40C12-G EXPS	
	15 kV	25 kA	40 kA	C.(10")	600 A		70080033VE	ULI-15T25C06 EXPS
						●	70080113VE	ULI-15T25C06-G EXPS
		25 kA	40 kA	C.(10")	1200 A		70080034VE	ULI-15T25C12 EXPS
						●	70080114VE	ULI-15T25C12-G EXPS
40 kA		64 kA	C.(10")	600 A		70080031VE	ULI-15T40C06 EXPS	
					●	70080111VE	ULI-15T40C06-G EXPS	
40 kA	64 kA	C.(10")	1200 A		70080032VE	ULI-15T40C12 EXPS		
				●	70080112VE	ULI-15T40C12-G EXPS		

Code list – VT grounding switch

Upright type

Handle configuration	Max. voltage	Rated peak current	Rated short-time withstand current	Phase distance	Item code	Description
L (Left operation)	4.76 kV	104 kA	40 kA / 2 sec	D.(12")	80030001VE	UGS-05L40D EXPS
	15 kV	104 kA	40 kA / 2 sec	D.(12")	80040001VE	UGS-15L40D EXPS
	27 kV	104 kA	40 kA / 2 sec	E.(16")	80080001VE	UGS-27L40E EXPS
	38 kV	104 kA	40 kA / 2 sec	E.(16")	80090003VE	UGS-38L40E EXPS
R (Right operation)	4.76 kV	104 kA	40 kA / 2 sec	D.(12")	80030002VE	UGS-05R40D EXPS
	15 kV	104 kA	40 kA / 2 sec	D.(12")	80040002VE	UGS-15R40D EXPS
	27 kV	104 kA	40 kA / 2 sec	E.(16")	80080002VE	UGS-27R40E EXPS
	38 kV	104 kA	40 kA / 2 sec	E.(16")	80090002VE	UGS-38R40E EXPS

DIGITAL SUPPORT HUB

SCAN THE QR CODE FOR INSTANT PRODUCT INFORMATION AND EXPERT SUPPORT

BeyondX™
Beyond Expectations



LSE LENS



Product
Finder



Download
Center



Tech Hub-
Youtube



**One Scan,
More Materials**
Scan the QR code to instantly
access product materials



**Search Smarter.
Find Faster**
Quickly discover the best-fit
product for your needs



**Download with
Ease and Speed**
Instantly access datasheets,
manuals, and CAD files



**Expert Guidance,
Now on YouTube**
Watch trusted tutorials and
product guides from real experts





LS ELECTRIC America Inc. Chicago Head Office

625 Heathrow Dr, Lincolnshire, IL 60069, USA
Tel: 1-224-352-2265 E-Mail: sales.us@lselectricamerica.com

Headquarters

127 LS-ro (Hogye-dong) Dongan-gu, Anyang-si, Gyeonggi-Do, 14119, Korea

Seoul Office

LS Yongsan Tower, 92, Hangang-daero, Yongsan-gu, Seoul, 04386, Korea
TEL: 82-2-2034-4916, 4684, 4429

China

LS ELECTRIC (Dalian) Co., Ltd.
+86-411-8730-7560
china.dalian@lselectric.com.cn

LS ELECTRIC (Wuxi) Co., Ltd.
+86-510-8534-6666
china.wuxi@lselectric.com.cn

LS ELECTRIC (Lishui) Co., Ltd.
+86-133-6207-7980
china.lishui@lselectric.com.cn

Shanghai Office
+86-21-5237-9977
china@lselectric.com.cn

Beijing Office
+86-10-5095-1631
china@lselectric.com.cn

Guangzhou Office
+86-20-3818-2883
china@lselectric.com.cn

Qingdao Office
+86-532-8501-2065
china@lselectric.com.cn

Chengdu Office
+86-28-8670-3201
china@lselectric.com.cn

Nanjing Office
+86-25-8467-0005
china@lselectric.com.cn

India

India Office
+91-80-6142-9108
Info_india@ls-electric.com

Indonesia

PT. LS ELECTRIC INDONESIA
+62-21-2933-7614
indonesia@ls-electric.com

Italy

Italy office
+39-030-8081-833
italia@ls-electric.com

Japan

LS ELECTRIC Japan Co., Ltd.
+81-3-6268-8241
japan@ls-electric.com

Tokyo Office
+81-3-6268-8241
tokyo@ls-electric.com

Netherlands

LS ELECTRIC Europe B.V.
+31-20-654-1424
europartner@ls-electric.com

Russia

Moscow Office
+7-499-682-6130
info@lselectric-ru.com

Singapore

Singapore Office
+65-6958-8162
singapore@ls-electric.com

Spain

LS ELECTRIC IBERIA S.L.U.
+34-910-28-02-74
iberia@ls-electric.com

Thailand

Bangkok Office
+66-2-128-0295
thailand@ls-electric.com

Türkiye

LS ELECTRIC Türkiye Co., Ltd.
+90-212-806-1252
turkiye@ls-electric.com

U.A.E

LS ELECTRIC Middle East FZE (Dubai)
+971-4-886-5360
middleeast@ls-electric.com

USA

LS ELECTRIC America Inc.
+1-800-891-2941
sales.us@lselectricamerica.com

LS ENERGY SOLUTIONS LLC
+1-980-221-0654
cmfeldman@ls-es.com

MCM Engineering II
+1-435-865-0125
sales.us@lselectricamerica.com

America Western Office
+1-949-333-3140
america@ls-electric.com

America Bastrop Campus
+1-224-352-2265
sales.us@lselectricamerica.com

Vietnam

LS ELECTRIC Vietnam Co., Ltd.
+84-222-2221-110
vietnam@ls-electric.com

Hanoi Sales Office
+84-24-6275-8054
vietnam@ls-electric.com

Ho Chi Minh Sales Office
+84-3823-7890
vietnam@ls-electric.com

Specifications in this catalog are subject to change without notice due to continuous product development and improvement

© 2024. 04 LS ELECTRIC Co., Ltd. All rights reserved. English (12) 2026. 05 HumanPower

www.LSElectricAmerica.com